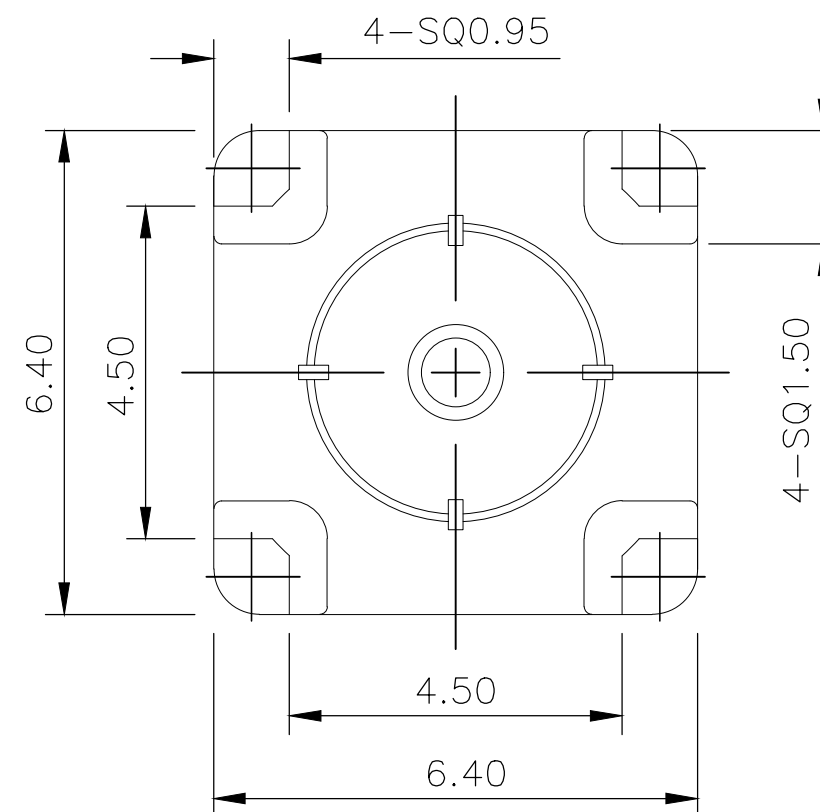
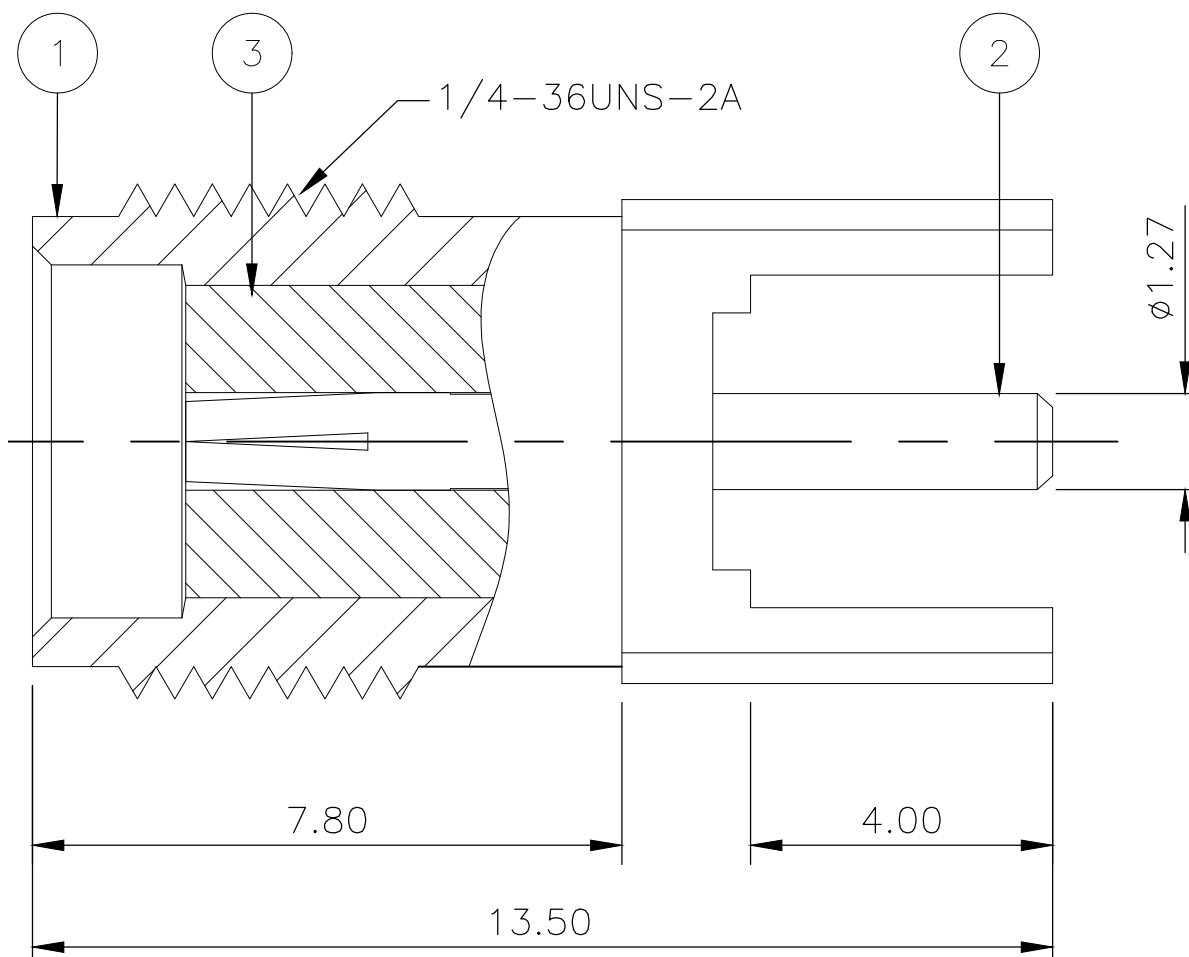
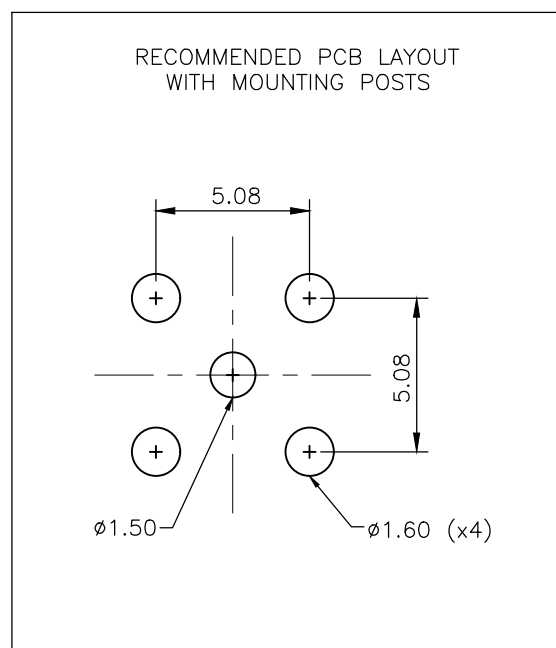


REVISIONS

P	LTR	DESCRIPTION	DATE	DWN	APVD
	C	REVISED PER ECR-19-016112	05NOV2019	ED	RS

NOTES

- 1 SINGLE PACK IN ACCORDANCE WITH AMP SPEC 107-3275
- 2 100 TRAY PACK IN ACCORDANCE WITH AMP SPEC 107-3275
- 3 Au PLATING
- 4 TAPE AND REEL PACKAGING, 350/REEL X 4 = 1400 PER BOX, DETAIL PARKAGING INFORMATION IS IN PAGE 2



ELECTRICAL	MECHANICAL	ENVIRONMENTAL
Impedance (Ohm) <u>50</u>	Interface Dimension MIL-STD-348B Fig. <u>310-2</u>	TEMPERATURE RANGE <u>-65°C TO + 165°C</u>
Frequency Range (GHz) <u>DC to 6GHz</u>	Recommended Coupling Torque <u>7 to 10 In-Lbs</u>	THERMAL SHOCK <u>MIL-STD-202, METH.107, COND.B</u>
Voltage Rating (Peak) <u>335 V RMS</u> @ Sea Level	Force to Engage and Disengage (In/lbs) <u>2.0 MAX</u>	CORROSION <u>MIL-STD-202, METH.101, COND.B</u>
Insulation Resistance (MIN.) <u>1000 M ohms</u>	Center Contact Captivation Axial (Lbs) <u>3.0</u> Radial (In/Oz) <u>N/A</u>	VIBRATION <u>MIL-STD-202, METH.204, COND.B</u>
Contact Resistance (Milliohms MAX) Center Contact <u>3.0</u> Outer Contact <u>2.0</u>	Cable Retention Axial (Lbs) <u>N/A</u>	SHOCK <u>MIL-STD-202, METH.213, COND.I</u>
Dielectric Withstand Voltage: <u>1000 V RMS Max</u>	Mating cycles <u>500 cycles</u>	MOISTURE RESISTANCE <u>MIL-STD-202, METH.106,</u>
Insertion Loss : <u>N/A dB</u>		ROHS <u>COMPLIANT</u>
VSWR: <u>1.3 MAX</u>		
RF leakage: <u>N/A</u>		
3rd Intermodulation: <u>N/A</u>		

QTY	DESCRIPTION	ITEM
1	PTFE	INSULATOR 3
1	BERYLLIUM COPPER	SOCKET 2
1	ZINC ALLOY	BODY 1
5	MATERIAL	DESCRIPTION ITEM

QUANTITY PER ASSY

PARTS LIST

THIS DRAWING IS A CONTROLLED DOCUMENT.

DWN ANSON MA 19FEB09
CHK RITA ZUO 19FEB09
APVD BOB ZHAO 19FEB09

PRODUCT SPEC 108-112000
APPLICATION SPEC

NAME SMA STRAIGHT PCB SOCKET DIE CAST

SIZE A3 CAGE CODE 00779 DRAWING NO C-1814832 RESTRICTED TO

WEIGHT 0.000000

CUSTOMER DRAWING SCALE NTS SHEET 1 OF 2 REV C

THIS DRAWING IS UNPUBLISHED.

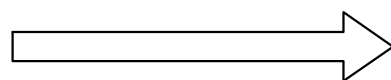
RELEASED FOR PUBLICATION , JULY 2006

REVISIONS

© COPYRIGHT 2006 By -

ALL RIGHTS RESERVED.

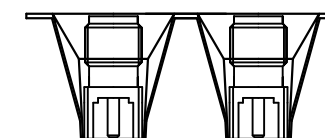
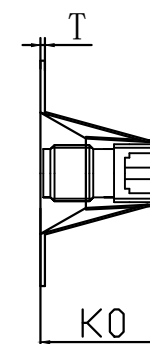
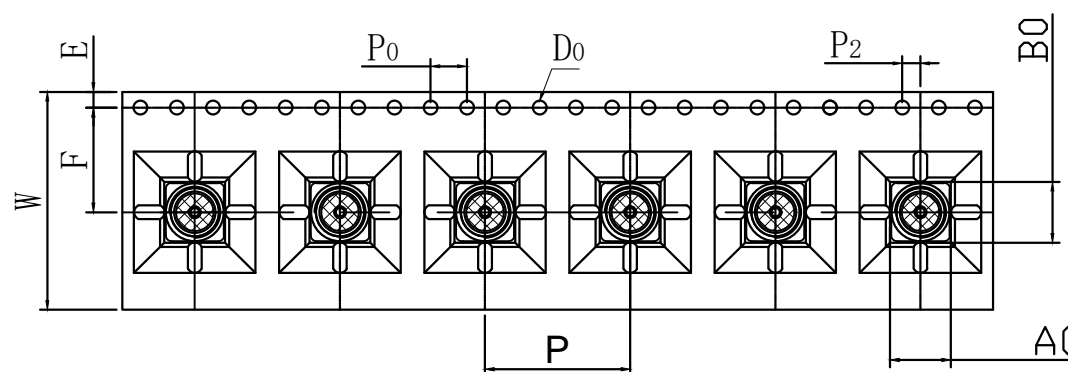
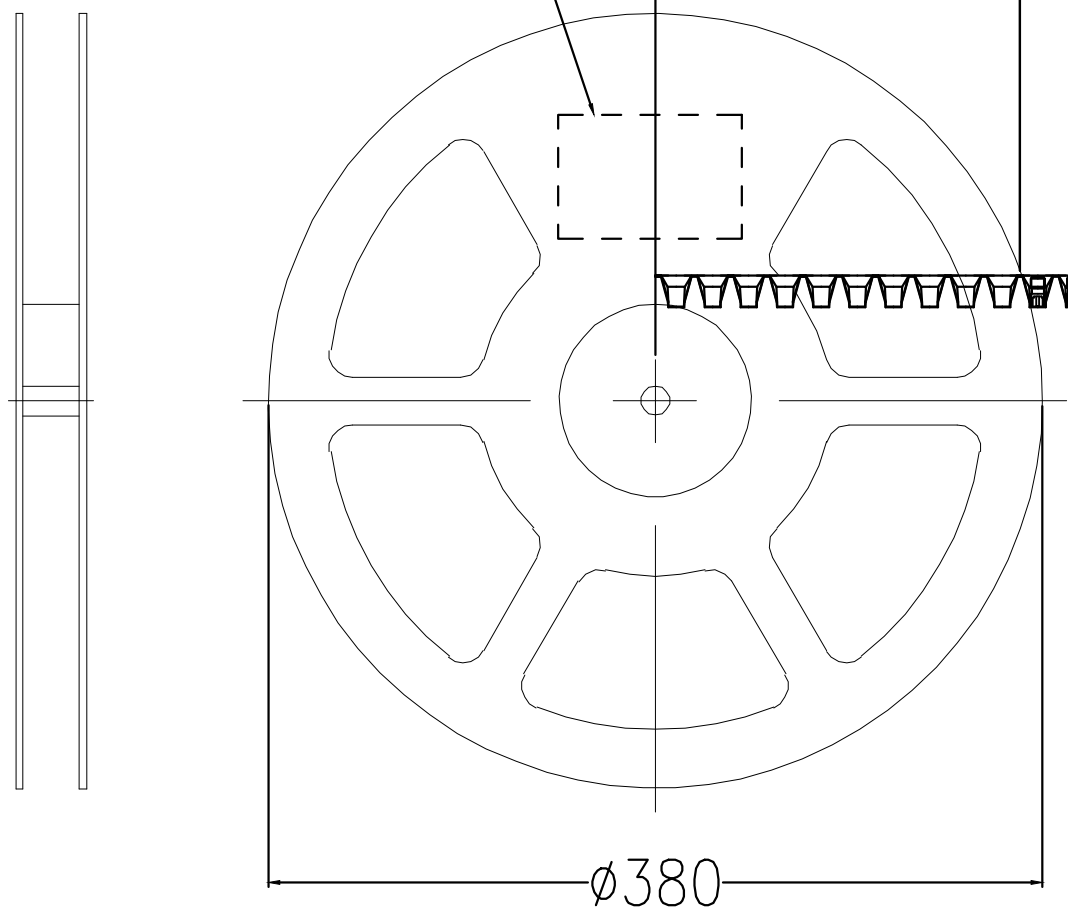
P	LTR	DESCRIPTION	DATE	DWN	APVD
-	-	SEE SHEET 1	-	-	-



Direction of loading and discharging

LABEL

BLANK 10PLCS 350 PCS BLANK 10 PLCS



symbol	AO	BO	KO	PO	P	P2
Spec	6.70±0.10	6.70±0.10	13.80±0.10	4.00±0.10	16.0±0.10	2.00±0.10
symbol	W	T	E	F	DO	
Spec	24.0±0.30	0.50 ^{+0.05} _{-0.00}	1.75±0.10	14.2±0.10	1.50±0.10	

THIS DRAWING IS A CONTROLLED DOCUMENT.

DWN ANSON MA 19FEB09

CHK RITA ZUO 19FEB09

APVD BOB ZHAO 19FEB09

PRODUCT SPEC

108-112000

APPLICATION SPEC

WEIGHT 0.000000

CUSTOMER DRAWING

STE TE Connectivity

NAME SMA STRAIGHT PCB SOCKET DIE CAST

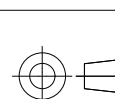
SIZE CAGE CODE DRAWING NO RESTRICTED TO

A3 00779 C-1814832

SCALE NTS SHEET 2 OF 2 REV C

DIMENSIONS:
mm

TOLERANCES UNLESS OTHERWISE SPECIFIED:



- 0 PLC ± -
- 1 PLC ± -
- 2 PLC ± 0.1
- 3 PLC ± -
- 4 PLC ± -
- ANGLES ± -
- FINISH -

MATERIAL SEE TABLE

Mouser Electronics

Authorized Distributor

Click to View Pricing, Inventory, Delivery & Lifecycle Information:

[TE Connectivity:](#)

[5-1814832-2](#)