

SACC-DSIV-M 8FS-4CON-L180-06 - Device connector, rear mounting



1524789

<https://www.phoenixcontact.com/us/products/1524789>

Please be informed that the data shown in this PDF document is generated from our Online Catalog. Please find the complete data in the user documentation. Our General Terms of Use for Downloads are valid.



Device connector, rear mounting, 4-position, Socket, straight, M8, coding: A , Rear mounting, M8 x 1, Solder pins

Your advantages

- Standard pin assignments and codings for signal transmission with a uniform design-in design

Commercial Data

Item number	1524789
Packing unit	1 pc
Minimum order quantity	20 pc
Sales Key	AB22
Product Key	ABQBAB
Catalog Page	Page 230 (C-2-2013)
GTIN	4017918950095
Weight per Piece (including packing)	5.06 g
Weight per Piece (excluding packing)	5.06 g
Customs tariff number	85366990
Country of origin	DE

SACC-DSIV-M 8FS-4CON-L180-06 - Device connector, rear mounting



1524789

<https://www.phoenixcontact.com/us/products/1524789>

Technical Data

Mounting

Mounting type	Rear mounting M8 x 1 With locking nut
Assembly instructions	With locking nut

Product properties

Product type	Circular connectors (device side)
Number of positions	4
Shielded	no
Coding	A

Insulation characteristics

Overvoltage category	II
Degree of pollution	3

Material specifications

Flammability rating according to UL 94	HB
Seal material	NBR
Contact material	CuSn
Contact surface material	Au
Contact carrier material	PA 6.6
Material for screw connection	Nickel-plated brass

Electrical properties

Rated surge voltage	1.5 kV
Contact resistance	$\leq 3 \text{ m}\Omega$
Insulation resistance	$\geq 100 \text{ M}\Omega$
Nominal voltage U_N	48 V AC
	60 V DC
Nominal current I_N	4 A

Connection data

Conductor connection

Connection method	Solder pins
-------------------	-------------

Connector

Connection 1

Head design	Socket
Head cable outlet	straight
Head thread type	M8
Coding	A

SACC-DSIV-M 8FS-4CON-L180-06 - Device connector, rear mounting



1524789

<https://www.phoenixcontact.com/us/products/1524789>

Cable/line

Shielded	no
----------	----

Environmental and real-life conditions

Ambient conditions

Degree of protection	IP67
	IP67
Ambient temperature (operation)	-25 °C ... 85 °C
	-25 °C ... 85 °C

Standards and regulations

M8

Standards/specifications	IEC 61076-2-104
--------------------------	-----------------

SACC-DSIV-M 8FS-4CON-L180-06 - Device connector, rear mounting

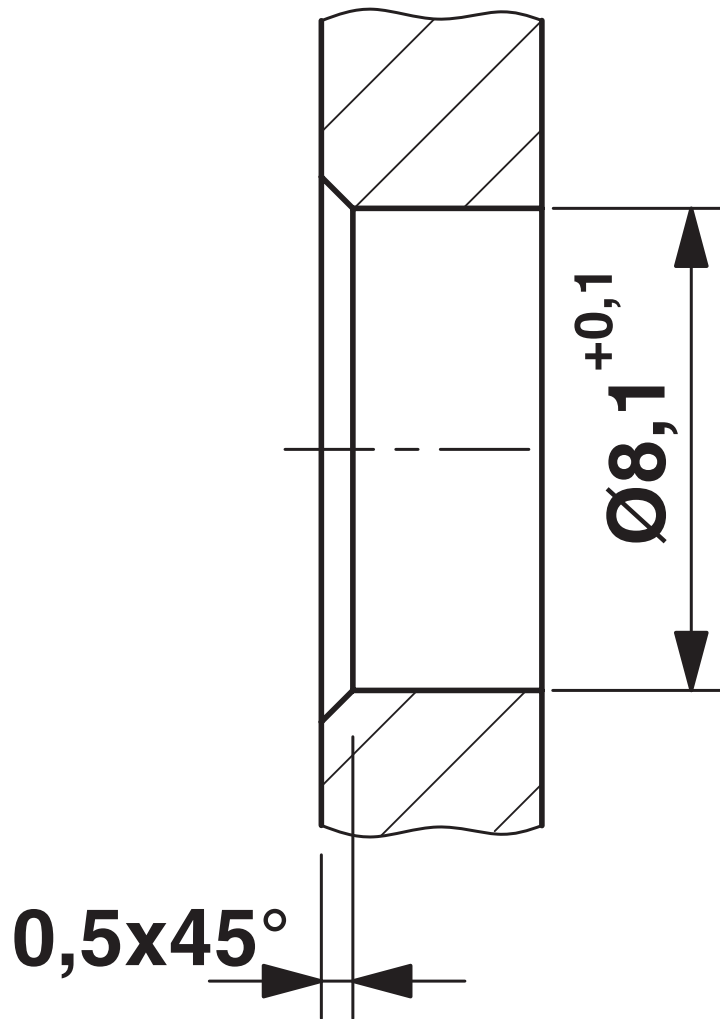


1524789

<https://www.phoenixcontact.com/us/products/1524789>

Drawings

Dimensional drawing



Mounting panel with feed-through hole

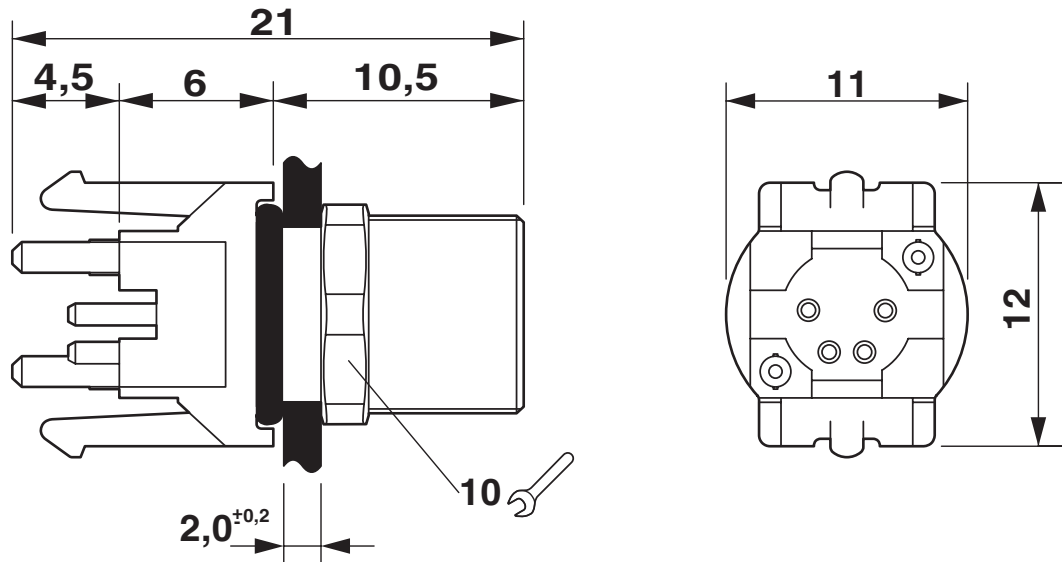
SACC-DSIV-M 8FS-4CON-L180-06 - Device connector, rear mounting



1524789

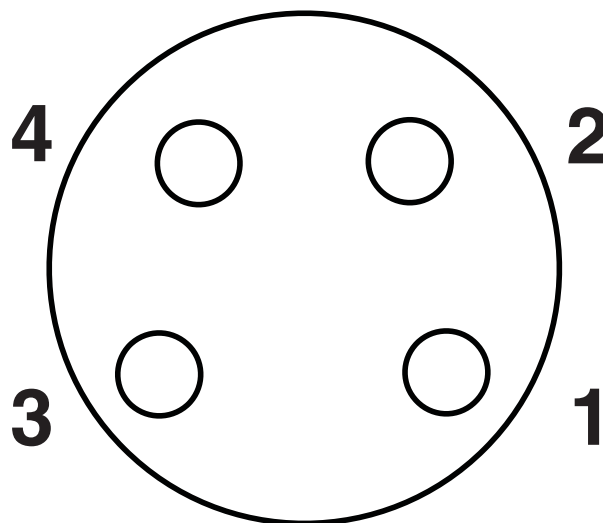
<https://www.phoenixcontact.com/us/products/1524789>

Dimensional drawing



Dimensional drawing

Schematic diagram



Pin assignment M8 socket, 4-pos., view female side

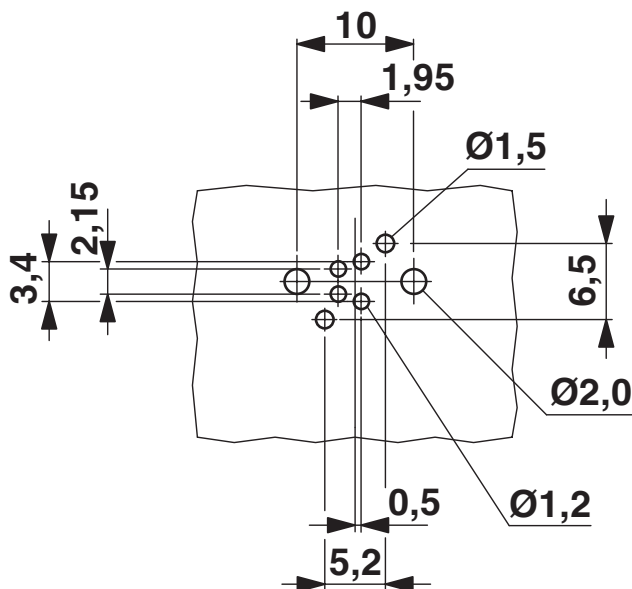
SACC-DSIV-M 8FS-4CON-L180-06 - Device connector, rear mounting



1524789

<https://www.phoenixcontact.com/us/products/1524789>

Drilling plan/solder pad geometry



Drilling diagram

SACC-DSIV-M 8FS-4CON-L180-06 - Device connector, rear mounting



1524789

<https://www.phoenixcontact.com/us/products/1524789>

Approvals



EAC

Approval ID: B.01687

SACC-DSIV-M 8FS-4CON-L180-06 - Device connector, rear mounting



1524789

<https://www.phoenixcontact.com/us/products/1524789>

Classifications

ECLASS

ECLASS-11.0	27440102
ECLASS-12.0	27440116
ECLASS-13.0	27440116

ETIM

ETIM 8.0	EC002635
----------	----------

UNSPSC

UNSPSC 21.0	39121400
-------------	----------

SACC-DSIV-M 8FS-4CON-L180-06 - Device connector, rear mounting



1524789

<https://www.phoenixcontact.com/us/products/1524789>

Environmental Product Compliance

REACH SVHC	Lead 7439-92-1
China RoHS	Environmentally Friendly Use Period = 50 years
	For information on hazardous substances, refer to the manufacturer's declaration available under "Downloads"

Phoenix Contact 2023 © - all rights reserved
<https://www.phoenixcontact.com>

Phoenix Contact USA
586 Fulling Mill Road
Middletown, PA 17057, United States
(+717) 944-1300
info@phoenixcon.com