

[Find by Feature](#)
[Browse by Category](#)
[Share](#)
 [Search →](#)

Enter part number or keyword

[Search Results \(0\)](#)
[Search Options](#)

Select a product type to narrow your search:

Terminal ▾

Results with your selections: --

Blade size [mm] ▾

Terminal family ▾

Material ▾

Plating ▾

Gender ▾

Sealed ▾

Inside Ring Diameter [mm] ▾

Outside Ring Diameter [mm] ▾

Minimum Cable Core Cross Section [mm²] ▾

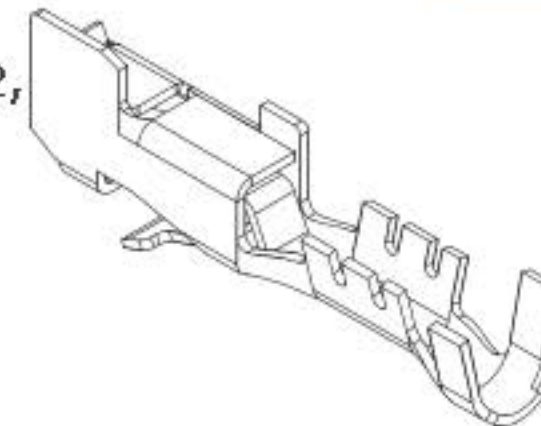
Maximum Cable Core Cross Section [mm²] ▾

Minimum Cable Diameter [mm] ▾

Maximum Cable Diameter [mm] ▾

[Clear](#)
[Search →](#)

Female Metri-Pack 150.2 Tin Plated Terminal, Cable Range 1.00 - 0.75 mm², Cable Insulation Range 2.40 - 2.03 mm
Part #12124075



Question about this product?

[Attributes](#)
[Documents \(8\)](#)

Part #:	12124075
Description:	Female Metri-Pack 150.2 Tin Plated Terminal, Cable Range 1.00 - 0.75 mm ² , Cable Insulation Range 2.40 - 2.03 mm
Product Type:	Terminal
Status:	Active
Blade size [mm]:	1.5
Terminal family:	Metri-Pack
Series:	150.2
Gender:	Female
Sealed:	Unsealed
Plating:	Tin
Minimum Cable Core Cross Section [mm²]:	0.75
Maximum Cable Core Cross Section [mm²]:	1.00
Minimum Cable Diameter [mm]:	2.03
Maximum Cable Diameter [mm]:	2.40
Temperature range [°C]:	-40 to 125

Certain products listed on this website may be subject to restricted usage or distribution or may not be available. For additional information, please contact your local sales office.