

ZFKDS 4- 7,5 - PCB terminal block



1907526

<https://www.phoenixcontact.com/us/products/1907526>

Please be informed that the data shown in this PDF document is generated from our Online Catalog. Please find the complete data in the user documentation. Our General Terms of Use for Downloads are valid.



PCB terminal block, nominal current: 32 A, rated voltage (III/2): 630 V, nominal cross section: 4 mm², number of potentials: 1, number of rows: 1, number of positions per row: 1, product range: ZFKDS(A) 4, pitch: 7.5 mm, connection method: Spring-cage connection, mounting: Wave soldering, conductor/PCB connection direction: 45 °, color: green, Pin layout: Linear pinning, Solder pin [P]: 4.6 mm, number of solder pins per potential: 2, type of packaging: packed in cardboard. The article can be aligned to create different nos. of positions!

Your advantages

- Defined contact force ensures that contact remains stable over the long term
- Clamping space opened by means of fixed screwdriver enables convenient conductor connection
- Separate bridge shaft for easily connecting multiple positions to jumpers
- Quick and convenient testing using integrated test option

Commercial Data

Item number	1907526
Packing unit	1 pc
Minimum order quantity	50 pc
Sales Key	AA14
Product Key	AANMAA
Catalog Page	Page 477 (C-1-2013)
GTIN	4017918193898
Weight per Piece (including packing)	4.695 g
Weight per Piece (excluding packing)	4.2 g
Customs tariff number	85369010
Country of origin	PL

ZFKDS 4- 7,5 - PCB terminal block



1907526

<https://www.phoenixcontact.com/us/products/1907526>

Technical Data

Product properties

Type	PC terminal block can be aligned
Product line	COMBICON Terminals L
Product type	Printed circuit board terminal
Product family	ZFKDS(A) 4
Number of positions	1
Pitch	7.5 mm
Number of connections	1
Number of rows	1
Number of potentials	1
Pin layout	Linear pinning
Solder pins per potential	2

Electrical properties

Nominal current I_N	32 A
Nominal voltage U_N	630 V
Degree of pollution	3
Rated voltage (III/3)	500 V
Rated surge voltage (III/3)	6 kV
Rated voltage (III/2)	630 V
Rated surge voltage (III/2)	6 kV
Rated voltage (II/2)	1000 V
Rated surge voltage (II/2)	6 kV

Connection data

Connection technology

Type	PC terminal block can be aligned
Nominal cross section	4 mm ²

Conductor connection

Connection method	Spring-cage connection
Conductor cross section rigid	0.2 mm ² ... 6 mm ²
Conductor cross section flexible	0.2 mm ² ... 4 mm ²
Conductor cross section AWG	24 ... 10
Conductor cross section flexible, with ferrule without plastic sleeve	0.25 mm ² ... 4 mm ²
Conductor cross section, flexible, with ferrule, with plastic sleeve	0.25 mm ² ... 4 mm ²
Stripping length	10 mm

Mounting

Mounting type	Wave soldering
Pin layout	Linear pinning

ZFKDS 4- 7,5 - PCB terminal block

1907526

<https://www.phoenixcontact.com/us/products/1907526>

Connection method	Spring-cage connection
-------------------	------------------------

Material specifications

Material data - contact

Note	WEEE/RoHS-compliant, free of whiskers according to IEC 60068-2-82/JEDEC JESD 201
Contact material	Cu alloy
Surface characteristics	Tin-plated
Metal surface terminal point (top layer)	Tin (10 - 16 μ m Sn)
Metal surface soldering area (top layer)	Tin (10 - 16 μ m Sn)

Material data - housing

Color (Housing)	green (6021)
Insulating material	PA
Insulating material group	I
CTI according to IEC 60112	600
Flammability rating according to UL 94	V0
Glow wire flammability index GWFI according to EN 60695-2-12	850
Glow wire ignition temperature GWIT according to EN 60695-2-13	775
Temperature for the ball pressure test according to EN 60695-10-2	125 °C

Material data – actuating element

Color (Actuating element)	green (6021)
---------------------------	--------------

Dimensions

Dimensional drawing	
Pitch	7.5 mm
Width [w]	31.5 mm
Height [h]	27.6 mm
Length [l]	29 mm
Installed height	23 mm
Solder pin length [P]	4.6 mm
Pin dimensions	1 x 1.4 mm

Mechanical tests

Connection test

Specification	IEC 60998-2-2:1991-10
Result	Test passed

ZFKDS 4- 7,5 - PCB terminal block



1907526

<https://www.phoenixcontact.com/us/products/1907526>

Test for conductor damage and slackening

Specification	IEC 60998-2-2:1991-10
Result	Test passed

Pull-out test

Specification	IEC 60998-2-2:1991-10
Conductor cross section/conductor type/tractive force setpoint/actual value	0.2 mm ² / solid / > 10 N
	0.2 mm ² / flexible / > 10 N
	6 mm ² / solid / > 80 N
	4 mm ² / flexible / > 60 N

Electrical tests

Temperature-rise test

Specification	IEC 60998-2-1:1990-04
Requirement temperature-rise test	Increase in temperature ≤ 45 K

Insulation resistance

Specification	IEC 60998-2-2:1991-10
Insulation resistance, neighboring positions	10 ⁹ Ω

Air clearances and creepage distances |

Insulating material group	I
Rated insulation voltage (III/3)	500 V
Rated surge voltage (III/3)	6 kV
Rated insulation voltage (III/2)	630 V
Rated surge voltage (III/2)	6 kV
Rated insulation voltage (II/2)	1000 V
Rated surge voltage (II/2)	6 kV

Environmental and real-life conditions

Vibration test

Specification	IEC 60068-2-6:1995-03
Frequency	10 - 150 - 10 Hz
Sweep speed	1 octave/min
Amplitude	0.35 mm (10 Hz ... 60.1 Hz)
Sweep speed	5g (60.1 Hz ... 150 Hz)
Test duration per axis	2.5 h

Glow-wire test

Specification	IEC 60998-2-2:1991-10
Temperature	850 °C
Time of exposure	5 s

Ambient conditions

Ambient temperature (operation)	-40 °C ... 100 °C (Depending on the current carrying)
---------------------------------	---

ZFKDS 4- 7,5 - PCB terminal block



1907526

<https://www.phoenixcontact.com/us/products/1907526>

	capacity/derating curve)
Ambient temperature (storage/transport)	-40 °C ... 70 °C
Relative humidity (storage/transport)	30 % ... 70 %
Ambient temperature (assembly)	-5 °C ... 100 °C

ZFKDS 4- 7,5 - PCB terminal block

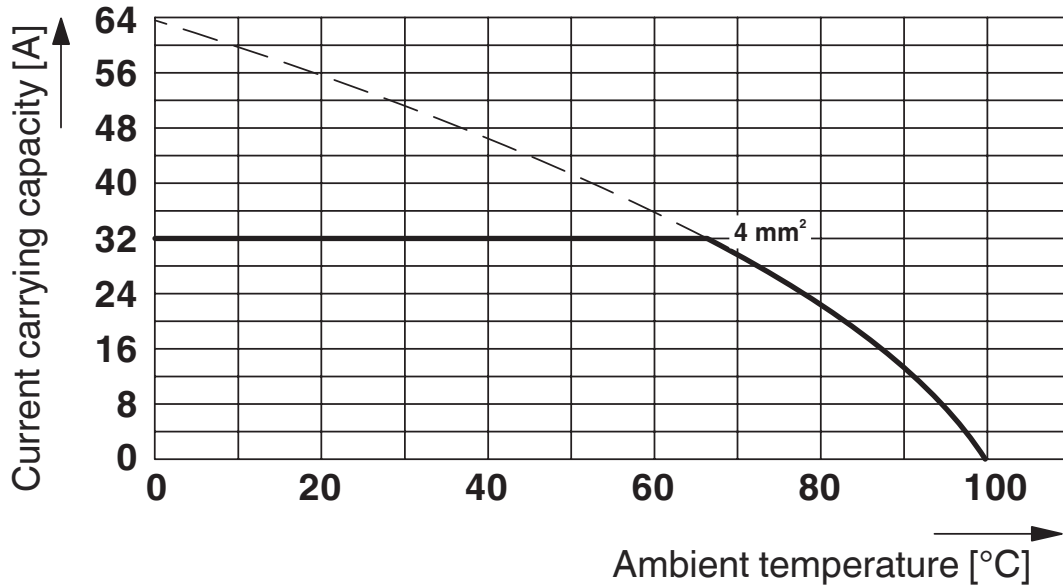


1907526

<https://www.phoenixcontact.com/us/products/1907526>

Drawings

Diagram



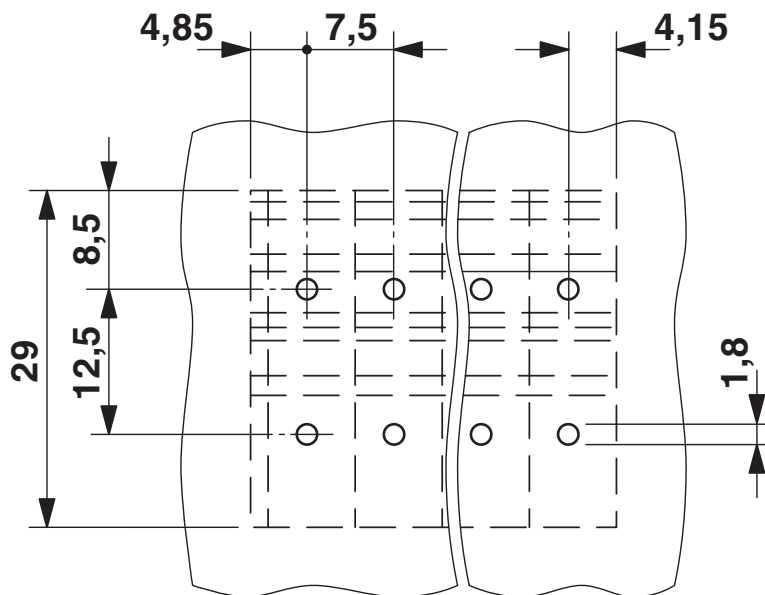
Type: ZFKDS 4-7,5 and ZFKDSA 4-9

Test following DIN EN 60512-5-2:2003-01

Reduction factor = 1

No. of positions: 5

Drilling plan/solder pad geometry



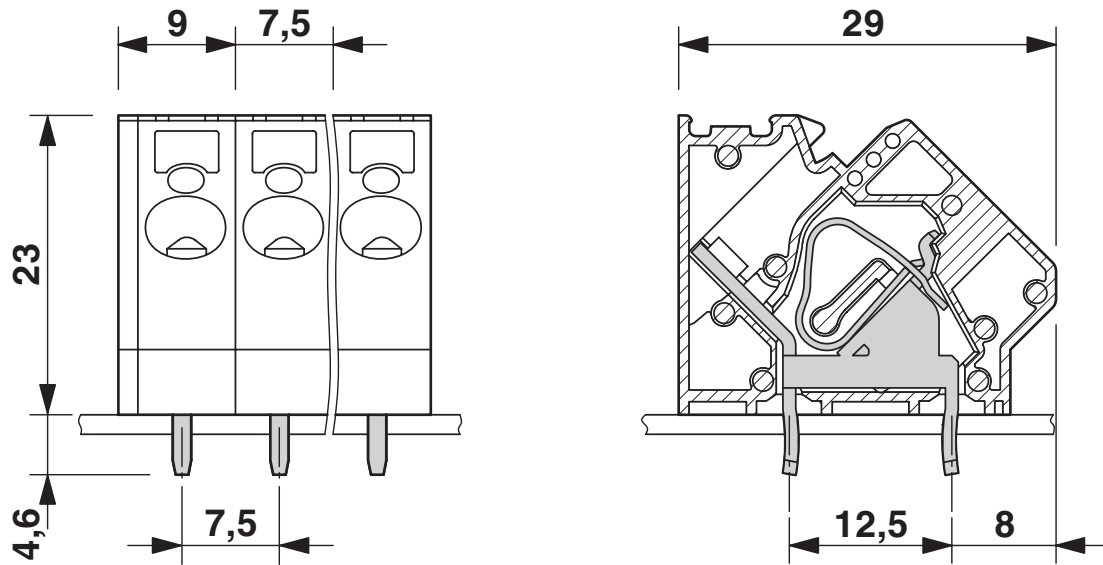
ZFKDS 4- 7,5 - PCB terminal block

1907526

<https://www.phoenixcontact.com/us/products/1907526>



Dimensional drawing



ZFKDS 4- 7,5 - PCB terminal block




1907526


<https://www.phoenixcontact.com/us/products/1907526>

Approvals

To download certificates, visit the product detail page: <https://www.phoenixcontact.com/us/products/1907526>

 IECEE CB Scheme Approval ID: DE-51234	Nominal Voltage U_N	Nominal Current I_N	Cross Section AWG	Cross Section mm^2
	500 V	32 A	-	0.2 - 4

 EAC Approval ID: B.01687
--

 cULus Recognized Approval ID: E60425-19941110	Nominal Voltage U_N	Nominal Current I_N	Cross Section AWG	Cross Section mm^2
Use group B	300 V	30 A	24 - 10	-
Use group C	150 V	30 A	24 - 10	-
Use group D	300 V	10 A	24 - 10	-

 VDE Gutachten mit Fertigungsüberwachung Approval ID: 40036082	Nominal Voltage U_N	Nominal Current I_N	Cross Section AWG	Cross Section mm^2
	500 V	32 A	-	0.2 - 4

ZFKDS 4- 7,5 - PCB terminal block



1907526

<https://www.phoenixcontact.com/us/products/1907526>

Classifications

ECLASS

ECLASS-11.0	27460101
ECLASS-12.0	27460101
ECLASS-13.0	27460101

ETIM

ETIM 8.0	EC002643
----------	----------

UNSPSC

UNSPSC 21.0	39121400
-------------	----------

ZFKDS 4- 7,5 - PCB terminal block



1907526

<https://www.phoenixcontact.com/us/products/1907526>

Environmental Product Compliance

China RoHS	Environmentally friendly use period: unlimited = EFUP-e
	No hazardous substances above threshold values

ZFKDS 4- 7,5 - PCB terminal block

1907526

<https://www.phoenixcontact.com/us/products/1907526>



Mandatory Accessories

ZFKDSA 4- 9 - PCB terminal block

1907542

<https://www.phoenixcontact.com/us/products/1907542>



End terminal block, 9 mm wide, necessary at the end of a row of terminal blocks

Accessories

FBSK 5-7,5 - Plug-in bridge

1928372

<https://www.phoenixcontact.com/us/products/1928372>



Bridge, fully insulated, pitch 7.5 mm, 5-pos.

ZFKDS 4- 7,5 - PCB terminal block

1907526

<https://www.phoenixcontact.com/us/products/1907526>



FBSK 4-7,5 - Plug-in bridge

1928369

<https://www.phoenixcontact.com/us/products/1928369>



Bridge, fully insulated, pitch 7.5 mm, 4-pos.

FBSK 10-7,5 - Plug-in bridge

1928385

<https://www.phoenixcontact.com/us/products/1928385>



Bridge, fully insulated, pitch 7.5 mm, 10-pos.

ZFKDS 4- 7,5 - PCB terminal block

1907526

<https://www.phoenixcontact.com/us/products/1907526>



FBSK 2-7,5 - Plug-in bridge

1928343

<https://www.phoenixcontact.com/us/products/1928343>



Bridge, fully insulated, pitch 7.5 mm, 2-pos.

FBSK 3-7,5 - Plug-in bridge

1928356

<https://www.phoenixcontact.com/us/products/1928356>



Bridge, fully insulated, pitch 7.5 mm, 3-pos.

ZFKDS 4- 7,5 - PCB terminal block

1907526

<https://www.phoenixcontact.com/us/products/1907526>



ZFKDSA 4- 9 - PCB terminal block

1907542

<https://www.phoenixcontact.com/us/products/1907542>



End terminal block, 9 mm wide, necessary at the end of a row of terminal blocks

RZ-ZFKDS 4 - Pitch spacer

1928521

<https://www.phoenixcontact.com/us/products/1928521>



Pitch spacer, 2.5 mm wide

ZFKDS 4- 7,5 - PCB terminal block

1907526

<https://www.phoenixcontact.com/us/products/1907526>



FL-ZFKDS 4 - PCB terminal block

1928495

<https://www.phoenixcontact.com/us/products/1928495>



Pair of flanges, can be snapped onto a row of single terminal blocks

MPS-MT - Test plugs

0201744

<https://www.phoenixcontact.com/us/products/0201744>



Test plugs, with solder connection up to 1 mm² conductor cross section, number of positions: 1, color: gray

ZFKDS 4- 7,5 - PCB terminal block

1907526

<https://www.phoenixcontact.com/us/products/1907526>



SZF 1-0,6X3,5 - Screwdriver

1204517

<https://www.phoenixcontact.com/us/products/1204517>



Actuation tool, for ST terminal blocks, also suitable for use as a bladed screwdriver, size: 0.6 x 3.5 x 100 mm, 2-component grip, with non-slip grip

SK 7,5/5:FORTL.ZAHLEN - Marker card

0804468

<https://www.phoenixcontact.com/us/products/0804468>



Marker card, white, labeled, horizontal: consecutive numbers 1 ... 10, 11 ... 20, etc. up to 91 ... 100, mounting type: adhesive, for terminal block width: 7.5 mm, lettering field size: 7.5 x 5 mm

ZFKDS 4- 7,5 - PCB terminal block

1907526

<https://www.phoenixcontact.com/us/products/1907526>



SK U/5,0 WH:UNBEDRUCKT - Marker card

0803922

<https://www.phoenixcontact.com/us/products/0803922>



Marker card, Din A4, white, unlabeled, can be labeled with: PLOTMARK, CMS-P1-PLOTTER, Office printing systems, mounting type: adhesive, for terminal block width: 210 mm, lettering field size: 186 x 5 mm, Number of individual labels: 630

B-STIFT - Marker pen

1051993

<https://www.phoenixcontact.com/us/products/1051993>



Marker pen, for manual labeling of unprinted Zack strips, smear-proof and waterproof, line thickness 0.5 mm

ZFKDS 4- 7,5 - PCB terminal block

1907526

<https://www.phoenixcontact.com/us/products/1907526>



FBSK 2-7,5 - Plug-in bridge

1928343

<https://www.phoenixcontact.com/us/products/1928343>



Bridge, fully insulated, pitch 7.5 mm, 2-pos.

FBSK 3-7,5 - Plug-in bridge

1928356

<https://www.phoenixcontact.com/us/products/1928356>



Bridge, fully insulated, pitch 7.5 mm, 3-pos.

ZFKDS 4- 7,5 - PCB terminal block

1907526

<https://www.phoenixcontact.com/us/products/1907526>



FBSK 4-7,5 - Plug-in bridge

1928369

<https://www.phoenixcontact.com/us/products/1928369>



Bridge, fully insulated, pitch 7.5 mm, 4-pos.

FBSK 5-7,5 - Plug-in bridge

1928372

<https://www.phoenixcontact.com/us/products/1928372>



Bridge, fully insulated, pitch 7.5 mm, 5-pos.

ZFKDS 4- 7,5 - PCB terminal block

1907526

<https://www.phoenixcontact.com/us/products/1907526>



FBSK 10-7,5 - Plug-in bridge

1928385

<https://www.phoenixcontact.com/us/products/1928385>



Bridge, fully insulated, pitch 7.5 mm, 10-pos.

Phoenix Contact 2023 © - all rights reserved

<https://www.phoenixcontact.com>

Phoenix Contact USA
586 Fulling Mill Road
Middletown, PA 17057, United States
(+717) 944-1300
info@phoenixcon.com