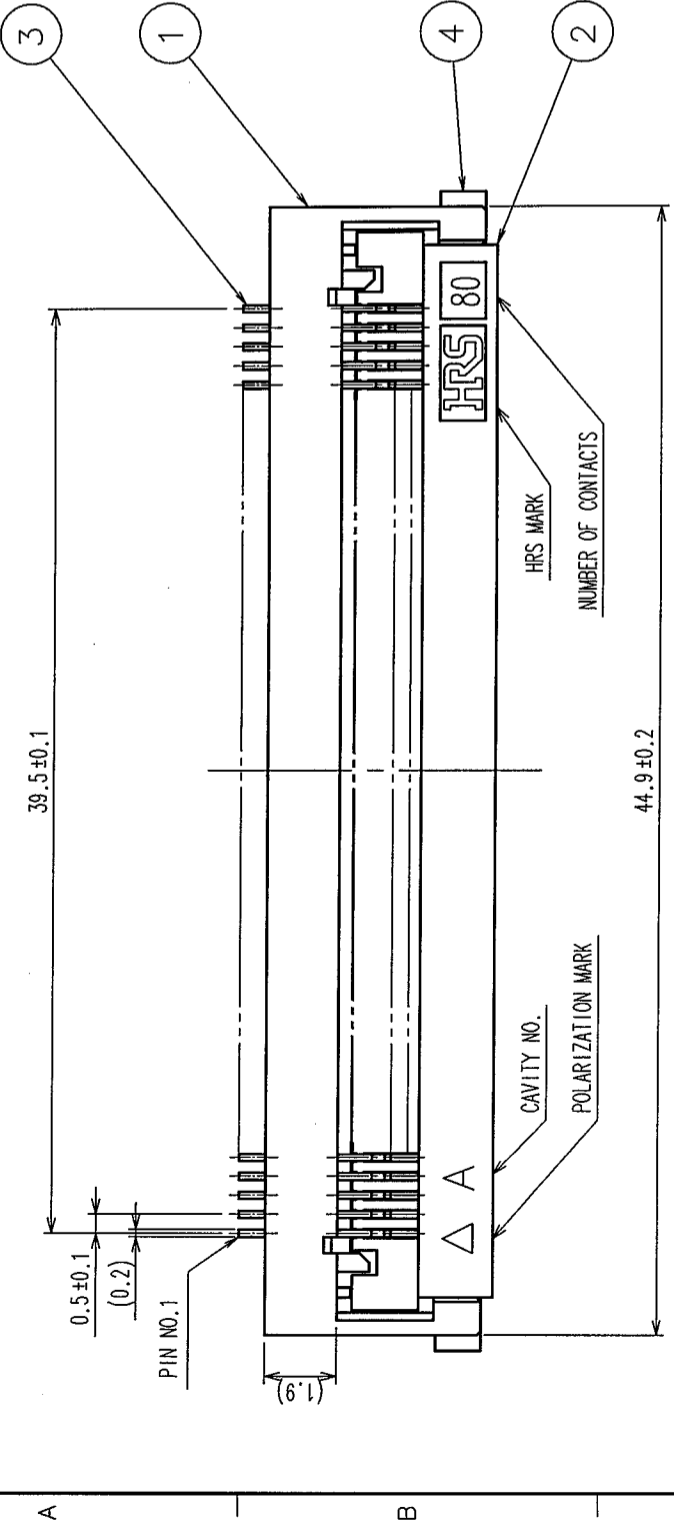
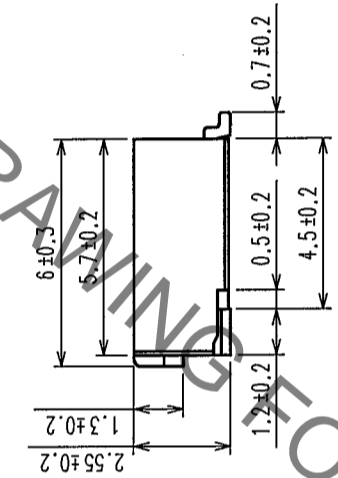
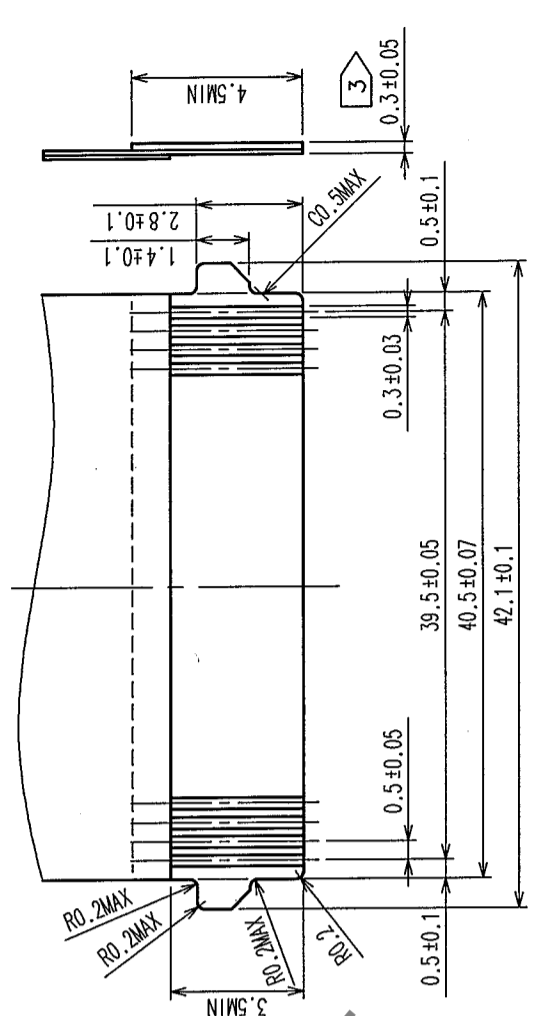


3 Jan.1.2022 Copyright 2022 HIROSE ELECTRIC CO., LTD. All Rights Reserved.
 In case of consideration for using Automotive equipment / device which demand high reliability, kindly contact our sales window correspondents.

COUNT	DESCRIPTION OF REVISIONS	BY	CHKD	DATE	COUNT	DESCRIPTION OF REVISIONS	BY	CHKD	DATE
△					△				
△					△				
△					△				

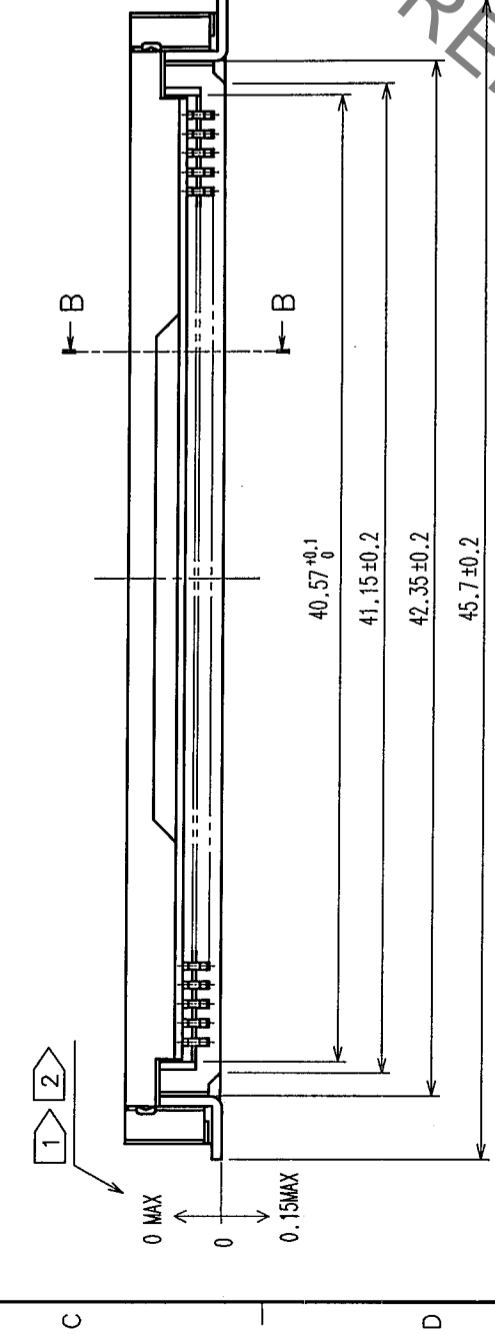


RECOMMENDED FPC (FREE)

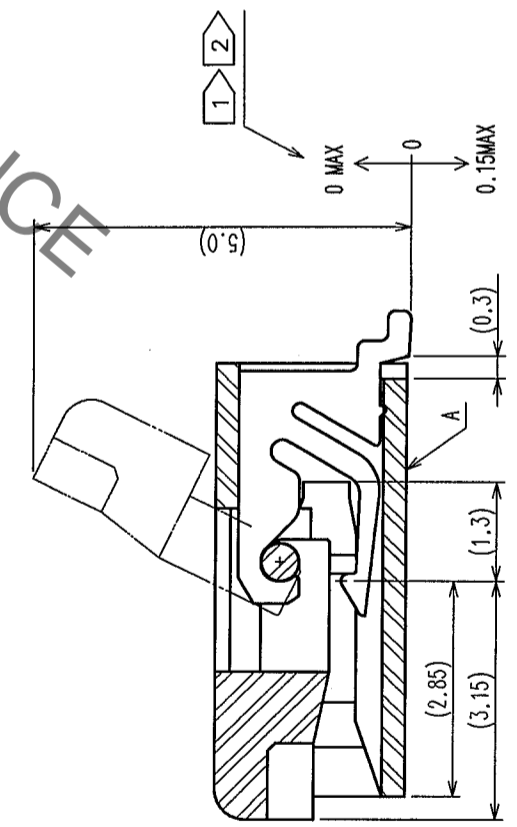


RECOMMENDED LAND PATTERN, METAL MASK (FREE)

B-B (10:1)



NOTE
 1 REFERENCE IS A.
 2 LEAD CO-PLANARITY SHALL BE 0.1 MAX.
 3 THICKNESS OF SUPPORTING TAPE SHALL BE 0.188(7.5mil) MIN.



NO.	MATERIAL	FINISH, REMARKS	NO.	MATERIAL	FINISH, REMARKS
2	LCP	(BLACK)	4	BRASS	TIN PLATING 1μm MIN. OVER NICKEL 1μm MIN.
1	LCP	(GRAY)	3	PHOSPHOR BRONZE	GOLD PLATING FLASH OVER NICKEL 1μm MIN.

CODE NO. (OLD)	CL	DRAWN	DESIGNED	CHECKED	APPROVED	RELEASED
		D. YAMADA	H. TSUKUMO		<i>A. Hatanaka</i>	
		04.06.08	04.06.08		04.06.08	

DRAWING NO.	PART NO.
EDC3-154339-01	FH28H-80S-0.5SH(05)

SCALE	UNITS	CODE NO.
5 : 1	mm	CL586-1805-3-05

TO	
NC	

Mouser Electronics

Authorized Distributor

Click to View Pricing, Inventory, Delivery & Lifecycle Information:

[Hirose Electric:](#)

[FH28H-80S-0.5SH\(05\)](#)