

注記 NOTE

- ① 材料及び仕上げ (めっき仕様) : TABLE 1 参照  
MATERIAL AND FINISHED (PLATING SPECIFICATION) : SEE TABLE 1
- ② 嵌合相手 : 214092 シリーズ  
MATE WITH: 214092 SERIES
- ③ 偶数極 に適用  
APPLY FOR EVEN CIRCUIT.
- 4. ターミナルとネイルの平坦度は0.1mm以下  
TERMINAL AND NAIL COPLANARITY : 0.1mm MAXIMUM
- 5. 製品仕様書 : 2140920000-PS 000  
PRODUCT SPECIFICATION : 2140920000-PS 000
- 6. アプリケーション仕様書 : 2166940000-AS 000  
APPLICATION SPECIFICATION : 2166940000-AS 000
- ⑦ 発注番号 : SHEET 5の製品一覧を参照ください  
ORDER NO. : REFER TO SHEET 5 FOR PRODUCT LIST

9.52	7.0	10.54	8
8.52	6.0	9.54	7
7.52	5.0	8.54	6
6.52	4.0	7.54	5
5.52	3.0	6.54	4
4.52	2.0	5.54	3
3.52	1.0	4.54	2
C	B	A	極数 CIRCUIT SIZE

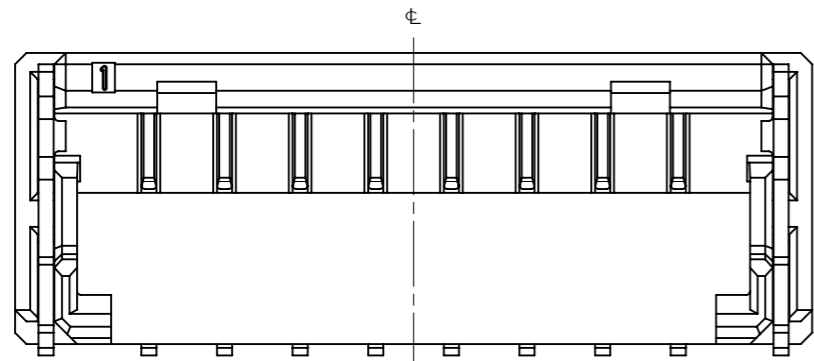
① TABLE 1

番号 NO.	部品 PART	材質 MATERIAL
①	ハウジング HOUSING	ポリアミド(PA),ガラス充填,UL94 V-0,色 : 黒 POLYAMIDE (PA),GLASS FILLED,UL94 V-0,COLOR:BLACK
②	ターミナル及びネイル TERMINAL AND NAIL	黄銅 BRASS
		錫めっき : 1.0 MICROMETER MINIMUM MATTE TIN PLATING ニッケルめっき(下地全面) : 1.0 MICROMETER MINIMUM NICKEL (UNDER-PLATING OVERALL)

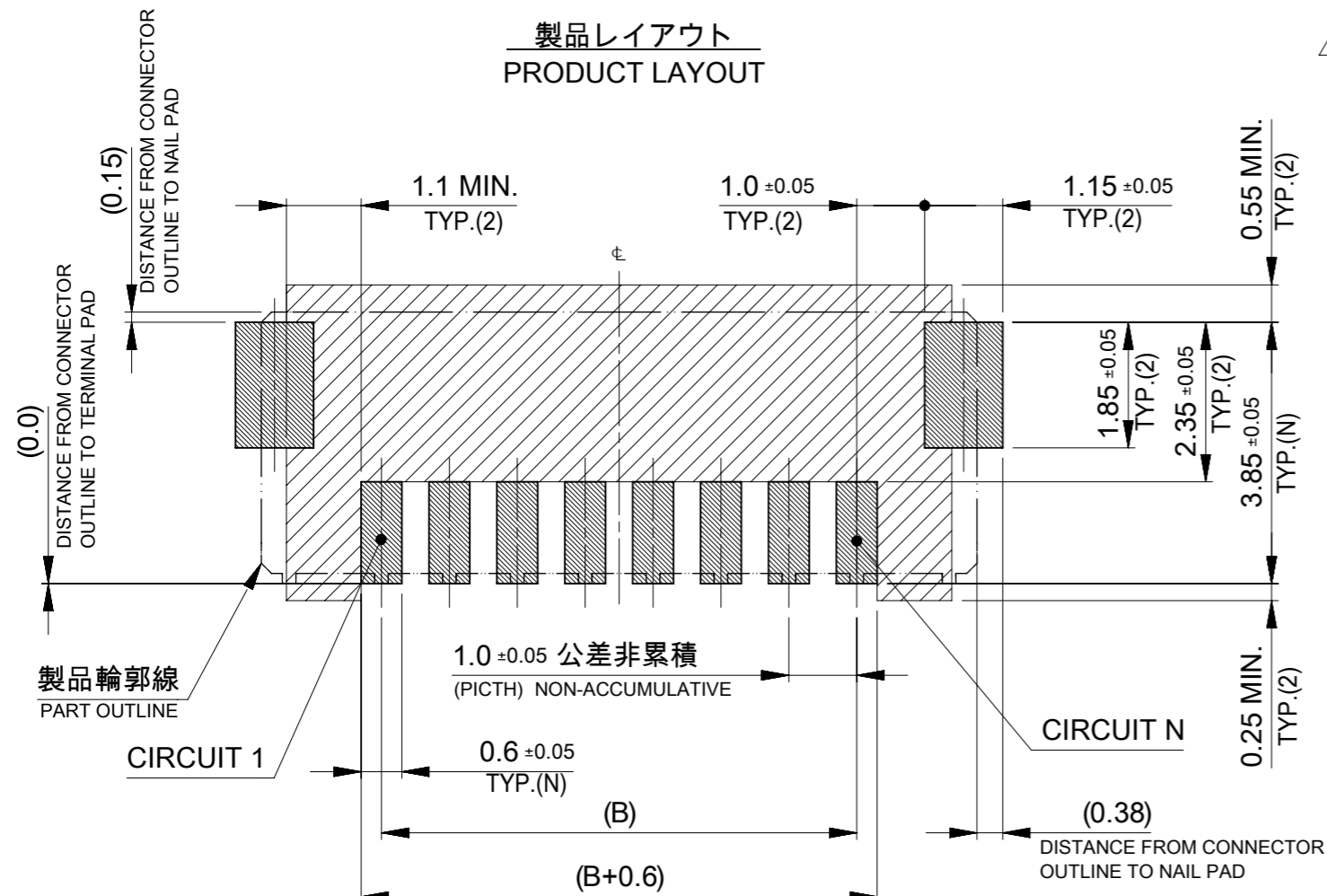
214094 0 0 \* 0

極数  
CIRCUIT SIZE

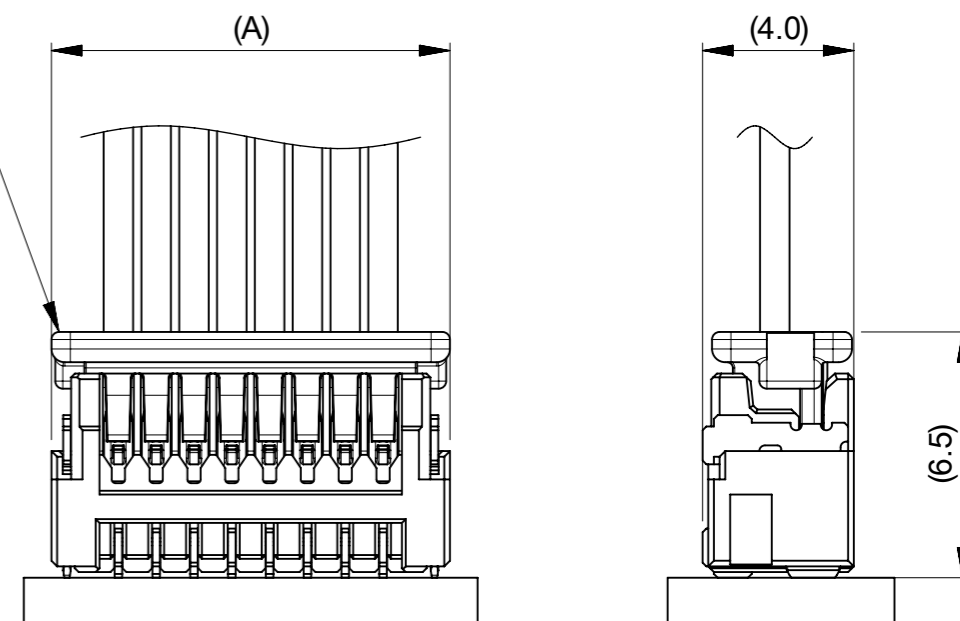
THIS DRAWING CONTAINS INFORMATION THAT IS PROPRIETARY TO MOLEX ELECTRONIC TECHNOLOGIES, LLC AND SHOULD NOT BE USED WITHOUT WRITTEN PERMISSION		CURRENT REV DESC:		<b>molex</b>	
DIMENSION UNITS	SCALE				
mm	NTS			ONEBLADE1.0 WTB SINGLE ROW VERTICAL SMT HEADER ASSEMBLY TIN PLATING	
GENERAL TOLERANCES (UNLESS SPECIFIED)				PRODUCT CUSTOMER DRAWING	
ANGULAR TOL	± 3.0 °			DOCUMENT NUMBER	
4 PLACES	± 0.2	EC NO: 688260	2021/07/19	2140940000-SD	
3 PLACES	± 0.2	DRWN: AISHIKAWA	2021/12/13	DOC TYPE	DOC PART
2 PLACES	± 0.2	CHK'D: AIDA	2021/12/13	PSD	000
1 PLACE	± 0.2	APPR: SAKIYAMA	2021/12/13	REVISION	A
0 PLACES	± 0.2	INITIAL REVISION:		SHEET NUMBER	
DRAFT WHERE APPLICABLE MUST REMAIN WITHIN DIMENSIONS		DRWN: AISHIKAWA	2021/07/19	SEE SHEET 5	
THIRD ANGLE PROJECTION		APPR: SAKIYAMA	2021/12/13	GENERAL	
DRAWING		SERIES	MATERIAL NUMBER	CUSTOMER	
A3-SIZE		214094	SEE SHEET 5	GENERAL	



製品レイアウト  
PRODUCT LAYOUT



△ 嵌合相手 : 214092 シリーズ  
MATE WITH : 214092 SERIES



嵌合状態図  
MATED CONNECTORS



推奨基板レイアウト:実装面側

(参考: 基板厚1.2mm, メタルマスク厚0.1~0.12mm, マスク開口率100%)

SUGGESTED PCB LAYOUT : COMPONENT SIDE

(REFERENCE: PCB THICKNESS 1.2mm, STENCIL THICKNESS 0.1~0.12mm, APERTURE RATIO 100%)

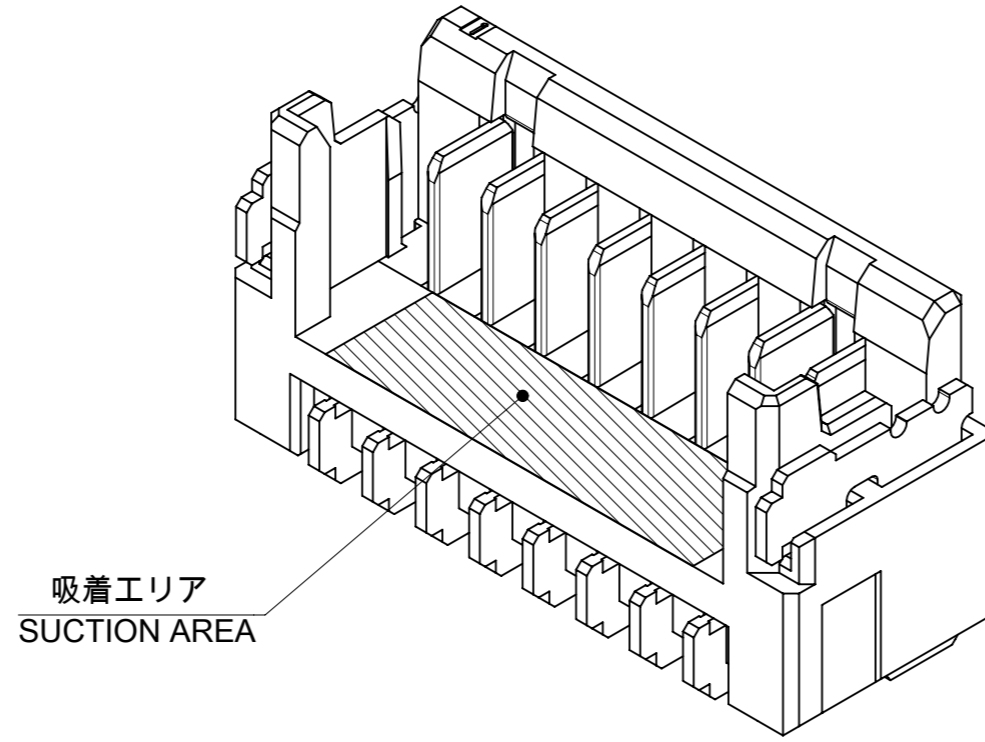
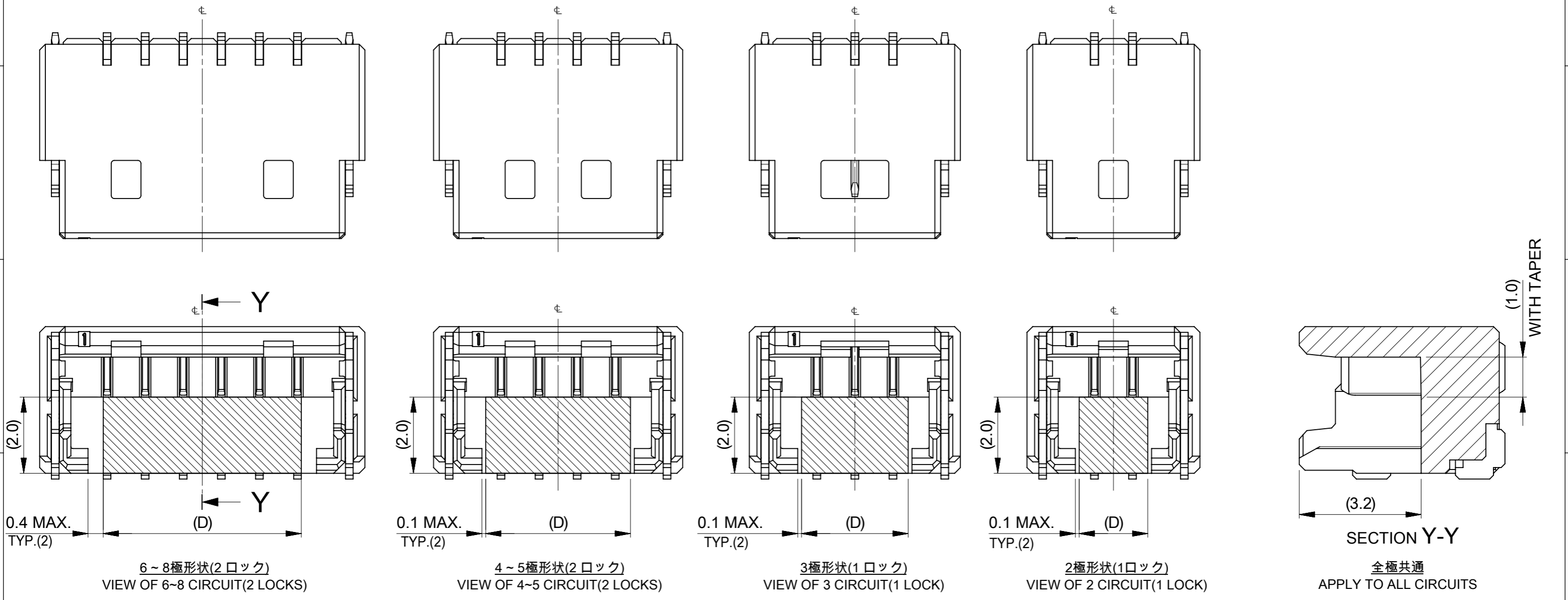


:パターン非推奨エリア

パターンを引き回す際は、製品機能に影響がないことをご確認ください。  
PATTERN IS NOT RECOMMENDED ON THE HATCHING AREA  
PLEASE CHECK NOT TO HAVE PROBLEM FOR PRODUCT FUNCTION  
WHEN SETTING PATTERN ON THE HATCHING AREA.

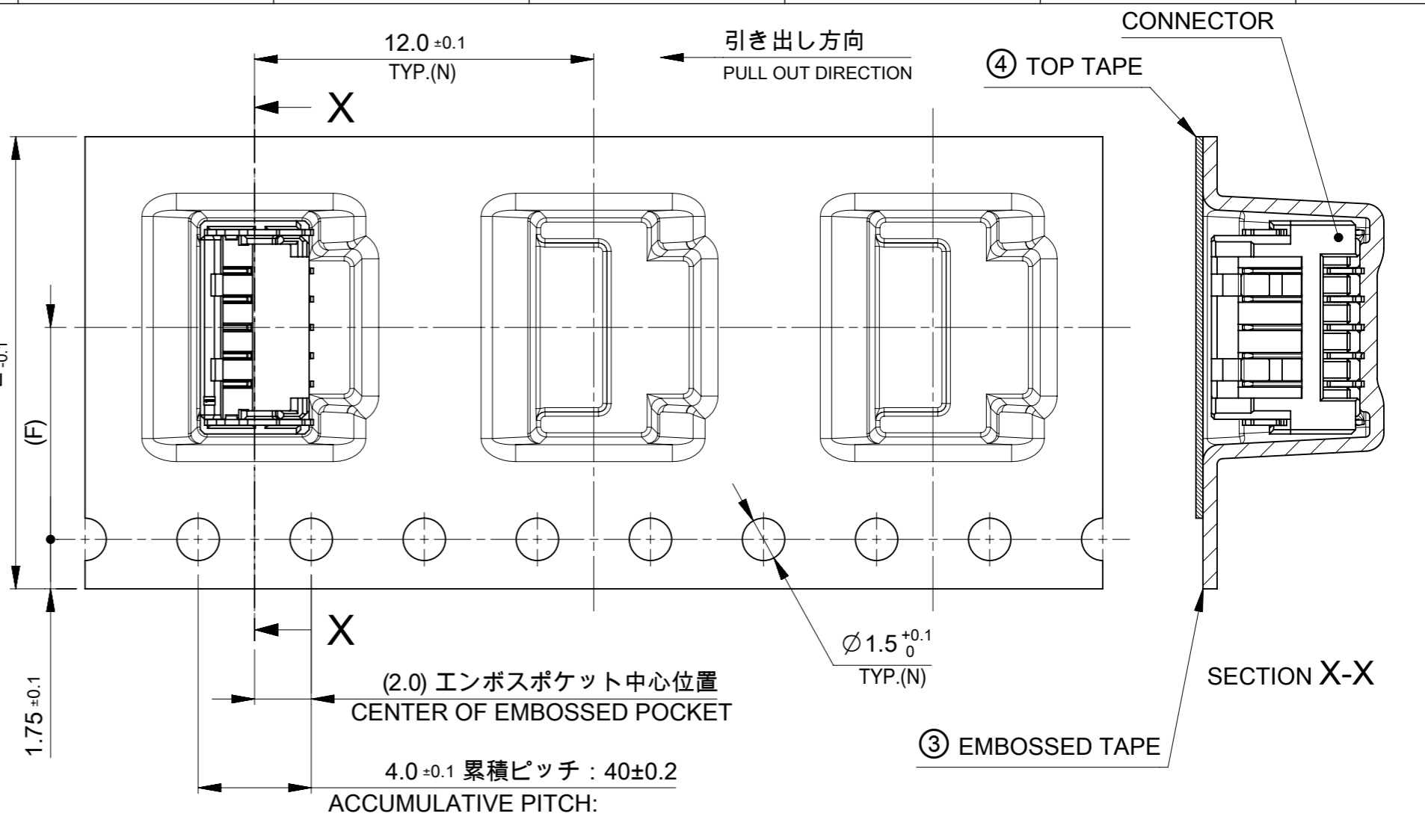
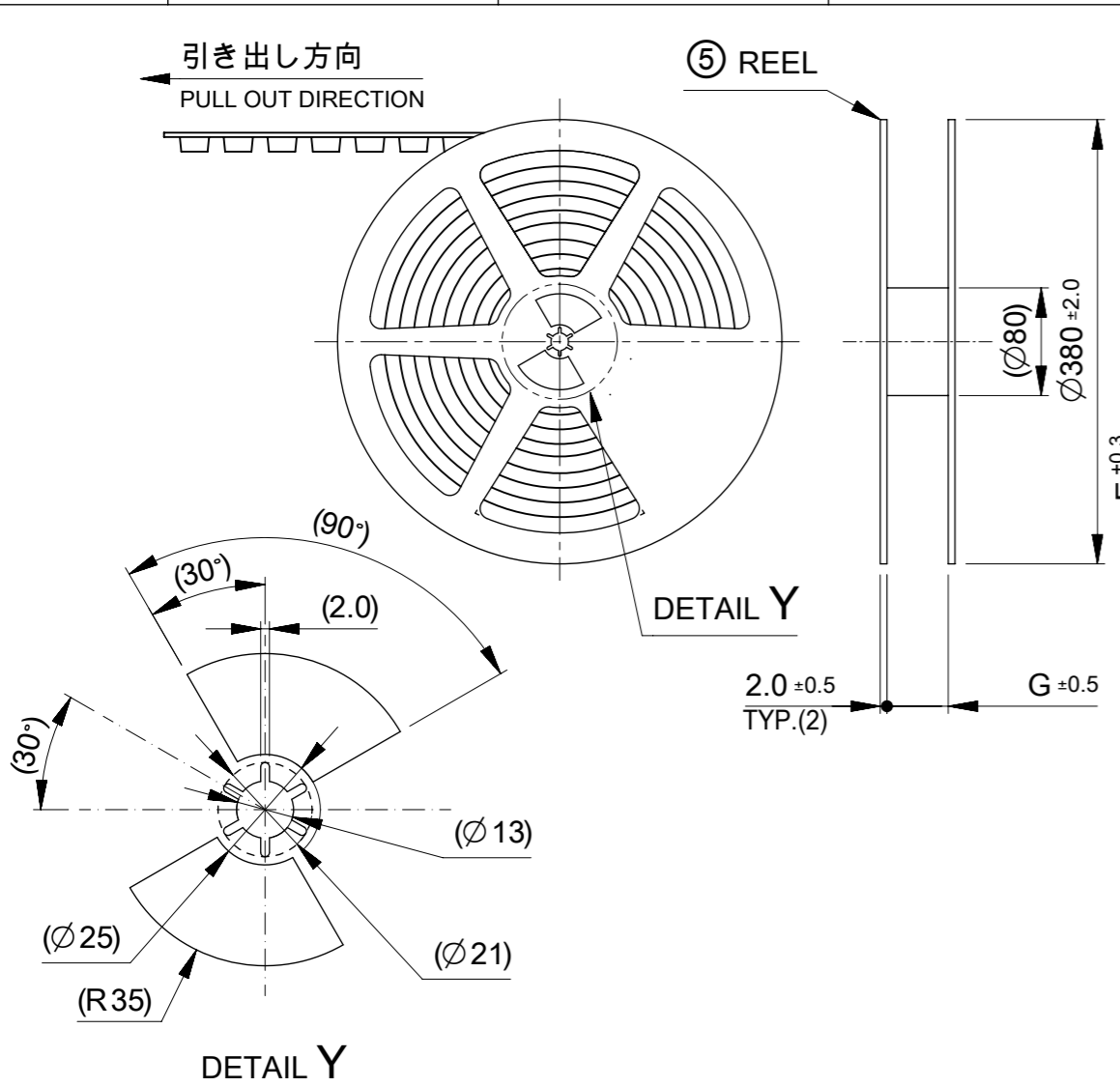
THIS DRAWING CONTAINS INFORMATION THAT IS PROPRIETARY TO MOLEX ELECTRONIC TECHNOLOGIES, LLC AND SHOULD NOT BE USED WITHOUT WRITTEN PERMISSION									
DIMENSION UNITS		SCALE		CURRENT REV DESC:					
mm		NTS		<div style="text-align: center;"><b>molex</b></div> <p>ONEBLADE1.0 WTB SINGLE ROW VERTICAL SMT HEADER ASSEMBLY TIN PLATING</p> <p>PRODUCT CUSTOMER DRAWING</p>					
GENERAL TOLERANCES (UNLESS SPECIFIED)									
ANGULAR TOL ± 3.0 °									
4 PLACES	± 0.2								
3 PLACES	± 0.2								
2 PLACES	± 0.2								
1 PLACE	± 0.2			EC NO: 688260		2021/07/19			
0 PLACES	± 0.2			DRWN: AISHIKAWA		2021/12/13			
DRAFT WHERE APPLICABLE MUST REMAIN WITHIN DIMENSIONS				THIRD ANGLE PROJECTION		DRAWING		SERIES	
				A3-SIZE		214094		MATERIAL NUMBER	
				SEE SHEET 5		CUSTOMER		SHEET NUMBER	
				GENERAL		2 OF 5			

# 製品形状及び吸着エリア PRODUCT SHAPE AND SUCTION AREA



7.2	8
6.2	7
5.2	6
4.8	5
3.8	4
2.8	3
1.8	2
D	極数 CIRCUIT SIZE

THIS DRAWING CONTAINS INFORMATION THAT IS PROPRIETARY TO MOLEX ELECTRONIC TECHNOLOGIES, LLC AND SHOULD NOT BE USED WITHOUT WRITTEN PERMISSION		CURRENT REV DESC:		<b>molex</b>	
DIMENSION UNITS	SCALE				
mm	NTS			ONEBLADE1.0 WTB SINGLE ROW VERTICAL SMT HEADER ASSEMBLY TIN PLATING	
GENERAL TOLERANCES (UNLESS SPECIFIED)				PRODUCT CUSTOMER DRAWING	
ANGULAR TOL	± 3.0°			DOCUMENT NUMBER	
4 PLACES	± 0.2	EC NO: 688260	2021/07/19	2140940000-SD	
3 PLACES	± 0.2	DRWN: AISHIKAWA	2021/12/13	DOC TYPE	DOC PART
2 PLACES	± 0.2	CHK'D: AIDA	2021/12/13	PSD	000
1 PLACE	± 0.2	APPR: SAKIYAMA	2021/12/13	REVISION	
0 PLACES	± 0.2	INITIAL REVISION:		A	
DRAFT WHERE APPLICABLE MUST REMAIN WITHIN DIMENSIONS		DRWN: AISHIKAWA	2021/07/19	SHEET NUMBER	
		APPR: SAKIYAMA	2021/12/13	3 OF 5	
THIRD ANGLE PROJECTION		DRAWING	SERIES	MATERIAL NUMBER	CUSTOMER
⊕		A3-SIZE	214094	SEE SHEET 5	GENERAL



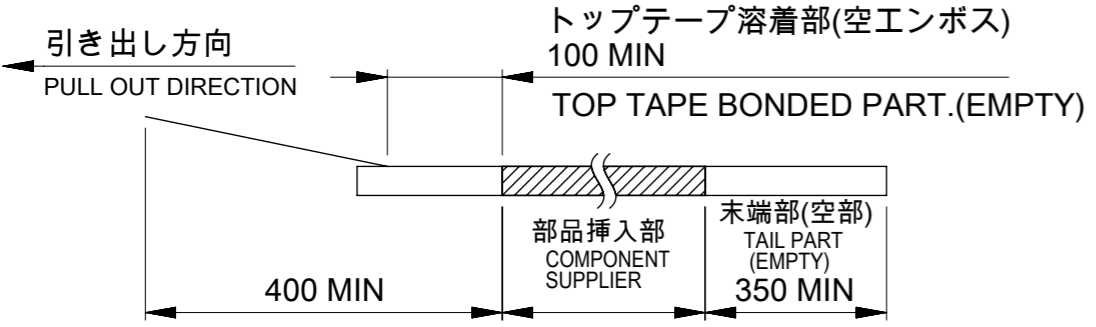
注記:  
NOTES:

8. 梱包数量: 1,200個/リール  
NUMBER OF CONNECTORS: 1,200 PIECES/REEL

9. リードテープ長さ  
LEAD TAPE LENGTH

10. トップテープの剥離強度はIEC60286-3に準拠。  
TOP TAPE PEELING FORCE IS DEFINED BY IEC60286-3.

11. 梱包仕様書: 2140949200-SPK 200  
PACKAGING SPECIFICATION: 2140949200-SPK 200



25.5	11.5	24	8
			7
17.5	7.5	16	6
			5
			4
			3
			2
G	コネクタ中心位置 F CENTER OF CONNECTOR	エンボステープ幅 E WIDTH OF TAPE	極数 CIRCUIT SIZE

番号 No.	部品 PART	材質 MATERIAL
③	エンボステープ EMBOSSSED TAPE	ポリスチレン(PS),その他 POLYSTYRENE(PS),etc
④	トップテープ TOP TAPE	ポリエチレン(PE),その他 POLYETHYLENE(PE),etc
⑤	リール REEL	ポリスチレン(PS) <リサイクル材を含む> POLYSTYRENE(PS) <RECYCLE MATERIAL CONTAINED >

THIS DRAWING CONTAINS INFORMATION THAT IS PROPRIETARY TO MOLEX ELECTRONIC TECHNOLOGIES, LLC AND SHOULD NOT BE USED WITHOUT WRITTEN PERMISSION

DIMENSION UNITS: mm SCALE: NTS

GENERAL TOLERANCES (UNLESS SPECIFIED): ANGULAR TOL ± 3.0°

4 PLACES ± 0.2  
3 PLACES ± 0.2  
2 PLACES ± 0.2  
1 PLACE ± 0.2  
0 PLACES ± 0.2

DRAFT WHERE APPLICABLE MUST REMAIN WITHIN DIMENSIONS

THIRD ANGLE PROJECTION

DRAWING: A3-SIZE SERIES: 214094 MATERIAL NUMBER: SEE SHEET 5 CUSTOMER: GENERAL SHEET NUMBER: 4 OF 5

CURRENT REV DESC:

EC NO: 688260  
DRWN: AISHIKAWA 2021/07/19  
CHK'D: AIDA 2021/12/13  
APPR: SAKIYAMA 2021/12/13

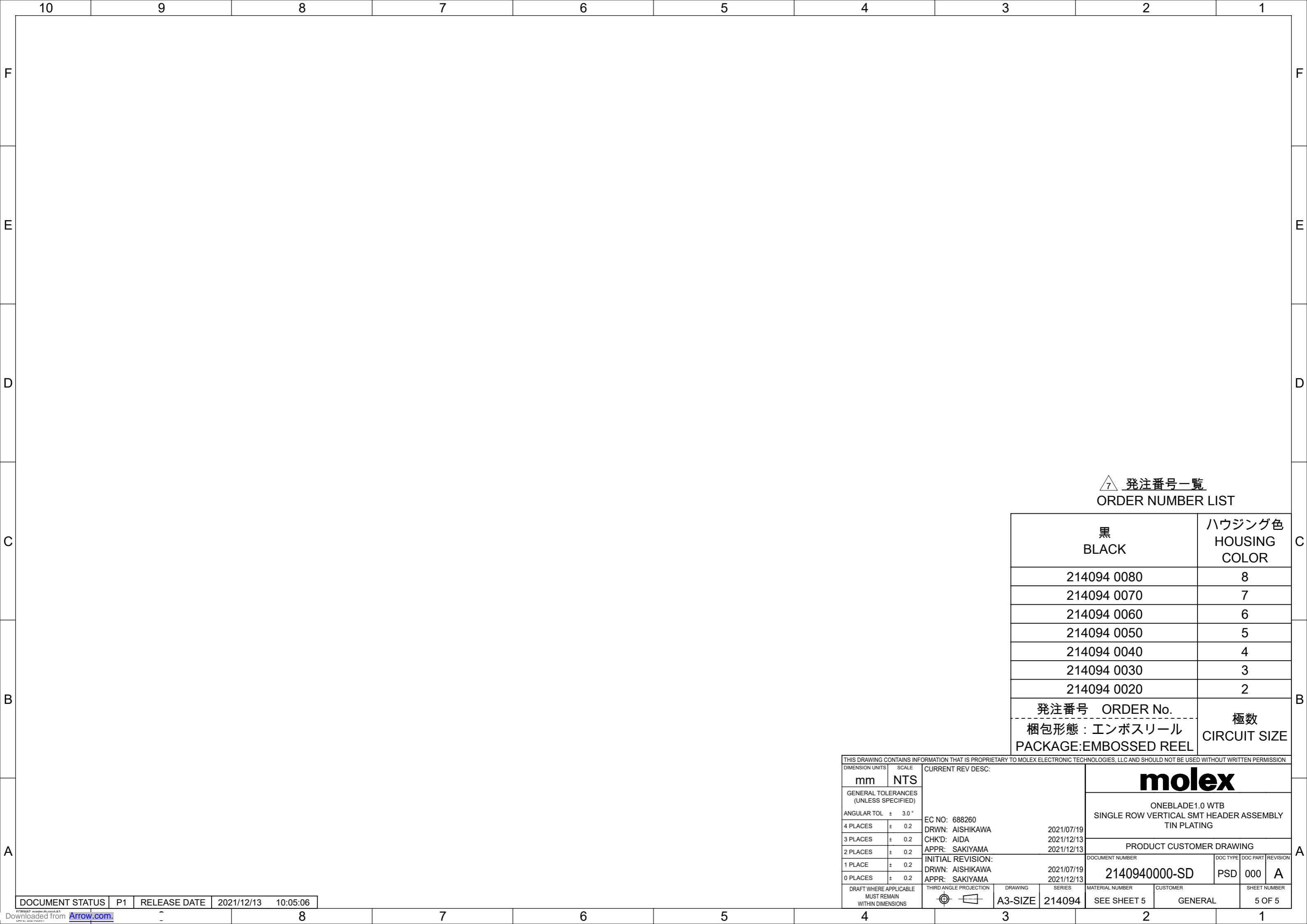
INITIAL REVISION:  
DRWN: AISHIKAWA 2021/07/19  
APPR: SAKIYAMA 2021/12/13

DOCUMENT NUMBER: 2140940000-SD DOC TYPE: PSD DOC PART: 000 REVISION: A

**molex**

ONEBLADE1.0 WTB  
SINGLE ROW VERTICAL SMT HEADER ASSEMBLY  
TIN PLATING

PRODUCT CUSTOMER DRAWING



△ 7 発注番号一覧  
ORDER NUMBER LIST

黒 BLACK	ハウジング色 HOUSING COLOR
214094 0080	8
214094 0070	7
214094 0060	6
214094 0050	5
214094 0040	4
214094 0030	3
214094 0020	2
発注番号 ORDER No. ----- 梱包形態 : エンボスリール PACKAGE:EMBOSSED REEL	極数 CIRCUIT SIZE

THIS DRAWING CONTAINS INFORMATION THAT IS PROPRIETARY TO MOLEX ELECTRONIC TECHNOLOGIES, LLC AND SHOULD NOT BE USED WITHOUT WRITTEN PERMISSION									
DIMENSION UNITS	SCALE	CURRENT REV DESC:			<b>molex</b>				
mm	NTS								
GENERAL TOLERANCES (UNLESS SPECIFIED)		EC NO: 688260			ONEBLADE1.0 WTB SINGLE ROW VERTICAL SMT HEADER ASSEMBLY TIN PLATING				
ANGULAR TOL	± 3.0 °	DRWN: AISHIKAWA 2021/07/19			PRODUCT CUSTOMER DRAWING				
4 PLACES	± 0.2	CHK'D: AIDA 2021/12/13			DOCUMENT NUMBER				
3 PLACES	± 0.2	APPR: SAKIYAMA 2021/12/13			2140940000-SD				
2 PLACES	± 0.2	INITIAL REVISION:			DOC TYPE				
1 PLACE	± 0.2	DRWN: AISHIKAWA 2021/07/19			PSD				
0 PLACES	± 0.2	APPR: SAKIYAMA 2021/12/13			DOC PART				
DRAFT WHERE APPLICABLE MUST REMAIN WITHIN DIMENSIONS		THIRD ANGLE PROJECTION		DRAWING	SERIES	MATERIAL NUMBER	CUSTOMER		REVISION
				A3-SIZE	214094	SEE SHEET 5	GENERAL		A
									5 OF 5