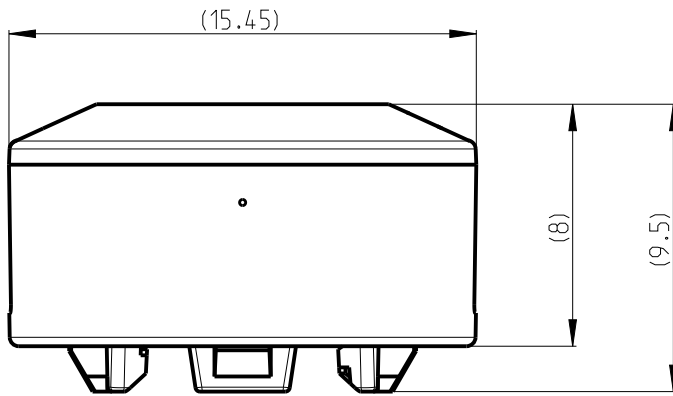
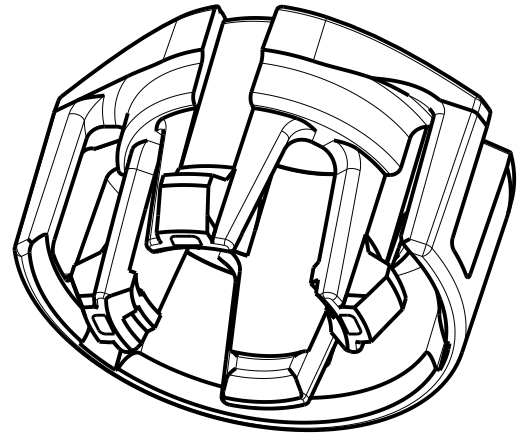
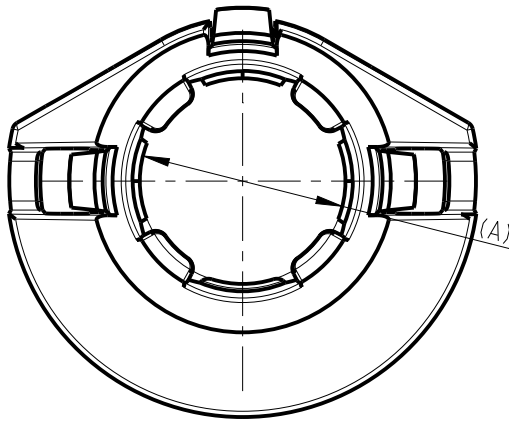


REVISIONS

P	LTR	DESCRIPTION	DATE	DWN	APVD
A		INITIAL RELEASE	31MAY2021	Z.C	I.Y



1 MATERIAL: PA66 30%GF  
COLOR: SEE CHART

- 2. FEATURE DENOTED BY REFERENCE DIMENSIONS MUST BE INSPECTION FOR PRESENCE
- 3. PART MUST BE FREE OF EXCESSIVE FLASH, MIS-MATCH, SINK MARKS. OR OTHER VISUAL IMPERFECTIONS THAT MAY AFFECT PRODUCT FIT OR FUNCTION
- 4. BULK PACKAGED

6.00	6.50	Ø6.80	ORANGE	FOR 6SQM	2371245-3
5.30	5.80	Ø6.10	GRAY	FOR 4SQM	2371245-2
4.20	4.70	Ø5.00	BLANK	FOR 2.5SQM	2371245-1
MIN.	MAX.	DIM. A	COLOR	DESCRIPTION	PART NO.
WIRE O.D.					

© 2021 TE Connectivity. All Rights Reserved.

DIMENSIONS: mm		DWN Z.CHEN 31MAY2021	MATERIAL	FINISH	
TOLERANCES UNLESS OTHERWISE SPECIFIED:		CHK J.LI 08JUN2021	1 -		-
0 PLC ± 1 PLC ±0.1 2 PLC ±0.01 3 PLC ±0.001 4 PLC ±0.0001 ANGLES ±		APVD I.YIN 09JUN2021	<b>TE</b> TE Connectivity		
PRODUCT SPEC 108-160170		NAME CABLE CLIP HD400 2P 3P			
APPLICATION SPEC 114-160093		SIZE A 4	CAGE CODE 00779	DRAWING NO C=2371245	RESTRICTED TO -
WEIGHT -		CUSTOMER DRAWING			
SCALE 4:1		SHEET 1 OF 1		REV A	

# Mouser Electronics

Authorized Distributor

Click to View Pricing, Inventory, Delivery & Lifecycle Information:

[TE Connectivity:](#)

[2371245-2](#)