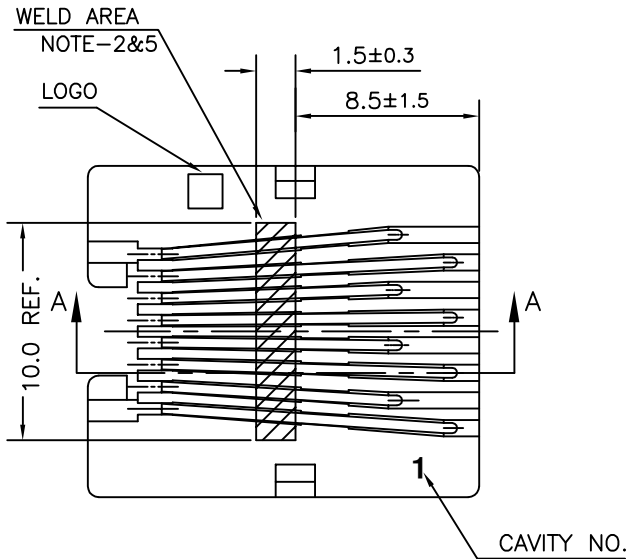


1.LF Products meet European Union Directives and other country Regulations as described in GS-22-008.

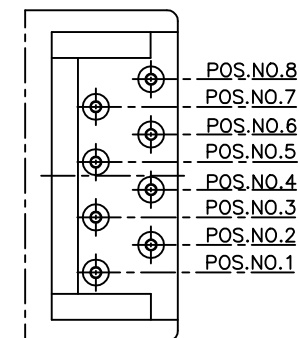
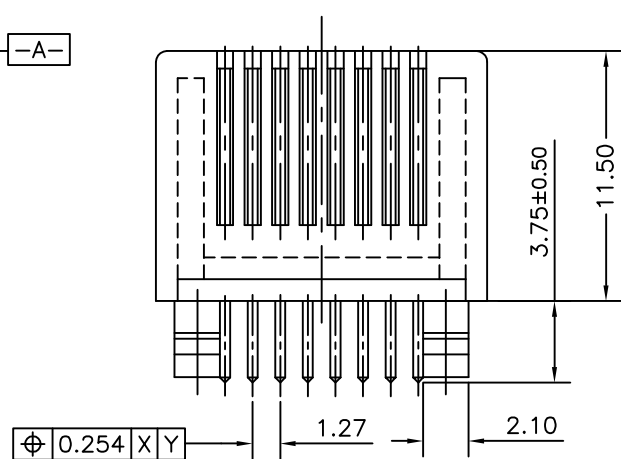
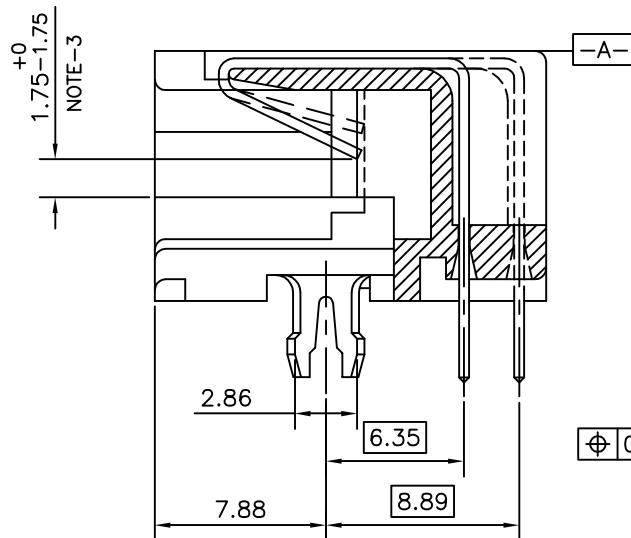
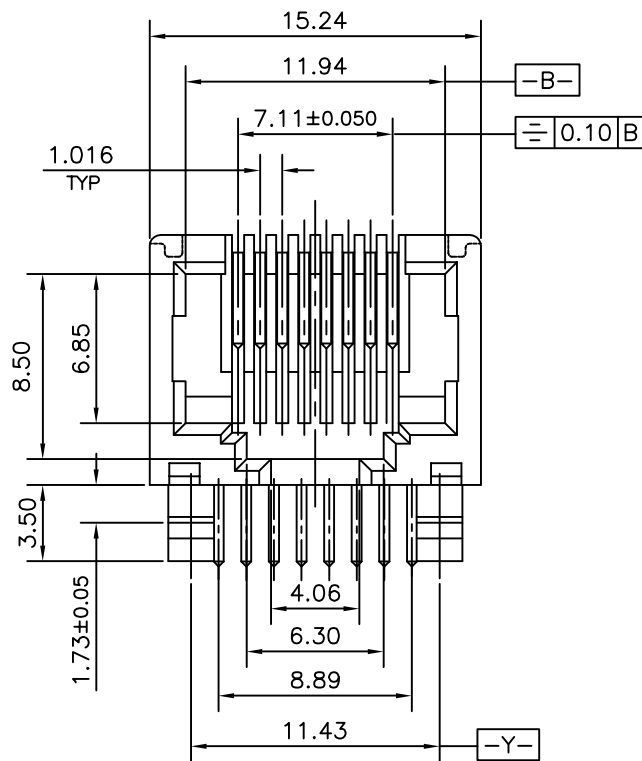
2.The Housing will withstand exposure to 260° peak temperature for 5 sec in a wave solder application with a 1.6mm Min thick circuit board. Slight deformation of snap pegs may occur at 260-265°c which will not affect the function of the product.

3.Lead Free or ROHS Directive labelling to be provided as per GS-14-920 for Lead Free version.

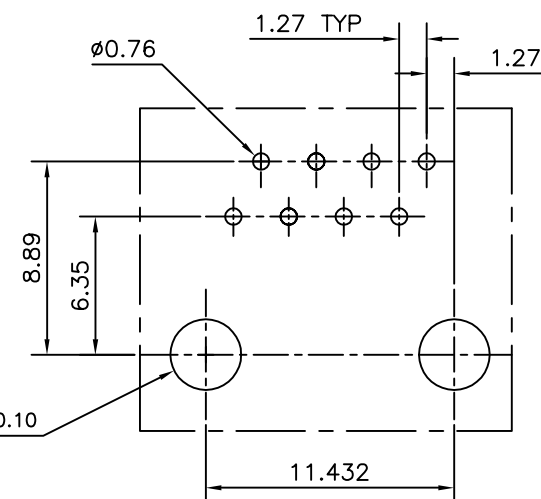


NOTES:

- CONTACT WIRE SHOULD NOT TO BE EXPOSED IN THE WELD AREA. AND WELD FLASH NOT TO EXCEED 0.30 ABOVE  $\bar{A}$ .
- ALL WIRES MUST BE CONTAINED IN THE SHELF.
- DISTANCE BETWEEN ADJACENT CONTACT WIRES ARE 0.558 MIN.



WIRE POSITION NO.



P.C.B HOLE PATTERN VIEWED FROM TOP

NOTE:  
HOUSING: PA66-GF25%-UL94 V0 BLACK  
CONTACT: Ø0.46 PHOSPHOR BRONZE ROUND WIRE

Technical specifications

- Insulation Resistance - 500 M Ohms min.
- Dielectric Strength - 1000 V rms , 60 Hz.
- Contact Resistance - 20 to 30 m Ohms. max.
- Current Rating - 2.0 amp DC
- Maximum Total Mating Force - 20 N
- Retention Force Between Plug & Jack - 22.5 N min.
- Durability - 250 mating cycles

MATERIAL

Housing : PA66-GF25%-UL94 V0 BLACK  
Contact : Ø0.46 PHOSPHOR BRONZE ROUND WIRE

Material:

The housing will withstand exposure to 260-265°C for 5 seconds in a wavesoldering application. Use protective adhesive tape(Kapton or Teflon) ) or protective metallic devices on the areas which are directly exposed to wave soldering as it is used in classical leaded wave soldering.

Contact : Ø0.46mm Phosphor Bronze

Plating :

Active zone : Gold over nickel on contact area  
Termination zone : SnPb over Nickel (Leaded vesion)  
: Matte Tin over nickel (Lead Free version)

TELEJACK PCB SERIES 54601 X 08 WP LF  
PLATING  
2-0.08 µ Au SELECTIVE MIN.  
6-0.8 µ Au SELECTIVE MIN.  
7-Au FLASH SELECTIVE MIN.  
8-1.27 µ Au SELECTIVE MIN.  
9-0.38 µ Au SELECTIVE MIN.

NO.OF POS.  
08-8 POL INSULATOR

LEAD FREE  
SPECIAL CODE  
WP - WITHOUT PROJECTION

mat'l. code		surface		tolerance		projection		product family	
-		ISO 1302		ISO 406 ISO 1101		MM		MODJACK	
ltr		ecn no		dr		date		title	
F		I07-0118		HVN		2007-09-11		8 POL. PCB MODJACK	
sheet index		revision sheet		F		1		type Product Customer Drawing	
sheet		revision		F		1		type Product Customer Drawing	
index		sheet		F		1		type Product Customer Drawing	



FCI  
FCIconnect.com

Copyright FCI