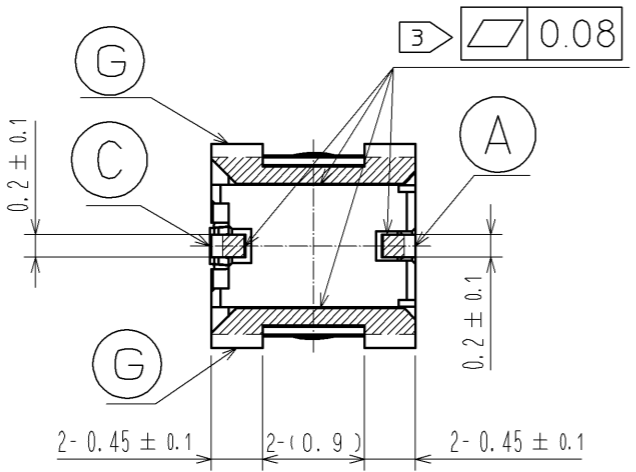
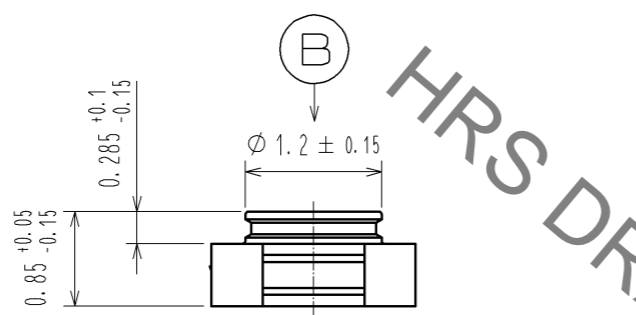
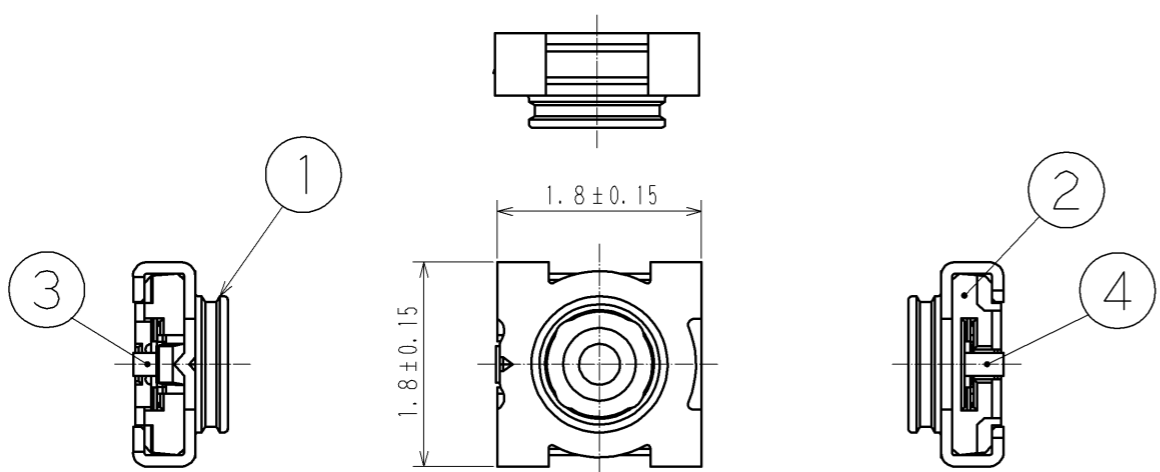
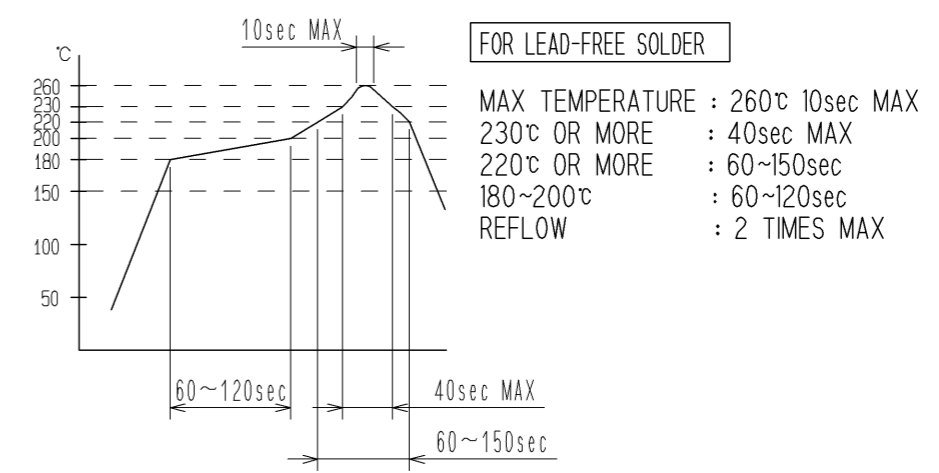


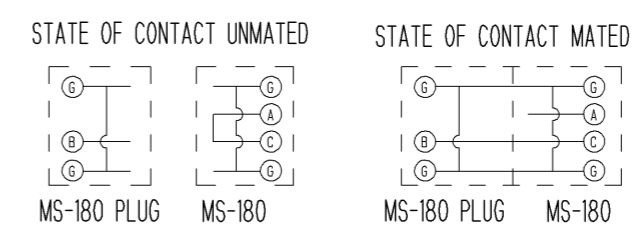
Dec.1.2021 Copyright 2021 HIROSE ELECTRIC CO., LTD. All Rights Reserved.
In case of consideration for using Automotive equipment / device which demand high reliability, kindly contact our sales window correspondents.



RECOMMENDED REFLOW TEMPERATURE PROFILE

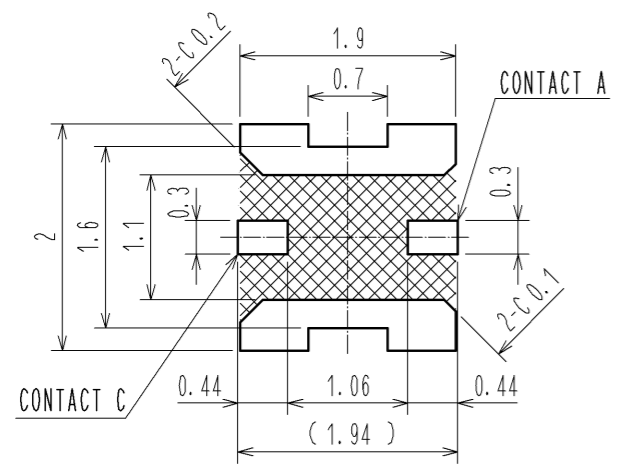


NOTE 1. Circuit shall be as follows.

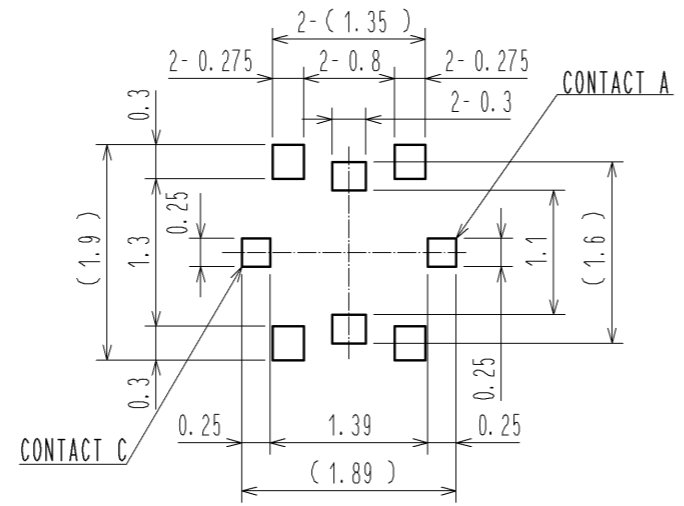


2. For use of this product, be sure to put contact area of plug on position P perpendicularly.
3. Lead co-planarity is to be 0.08mm MAX.
4. Do not use the washing process.
5. Please do not change the specified layout of the PCB dimension and the layout of the stencil plate dimension and thickness otherwise could not be responsible for the solderability of the product.
6. This product is intended to be used for circuit inspection only. Consult us if any other application is considered.
7. Do not use hand soldering for mounting of MS-180.

5 SPECIFIED PCB LAYOUT
The dimensional tolerance to be ± 0.05.



5 SPECIFIED STENCIL PLATE
THICKNESS: 0.1mm
The dimensional tolerance to be ± 0.05.

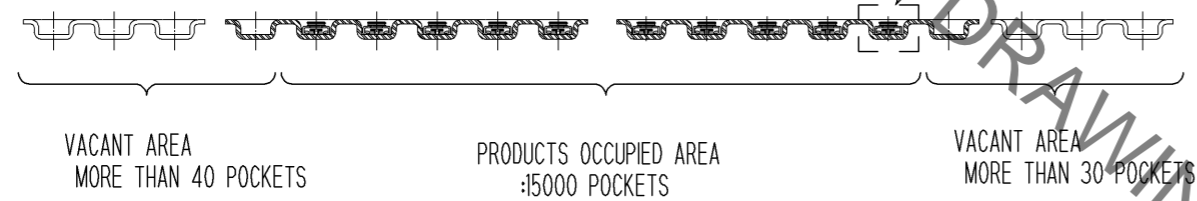
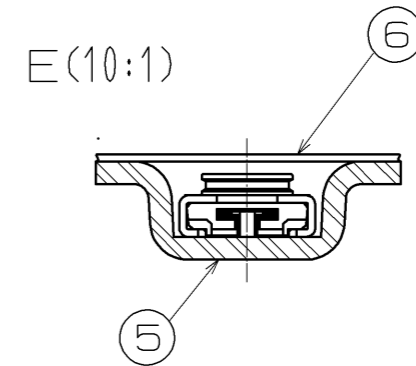
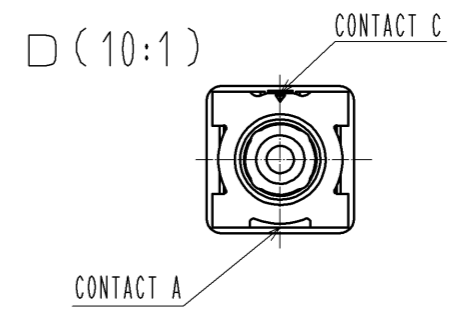
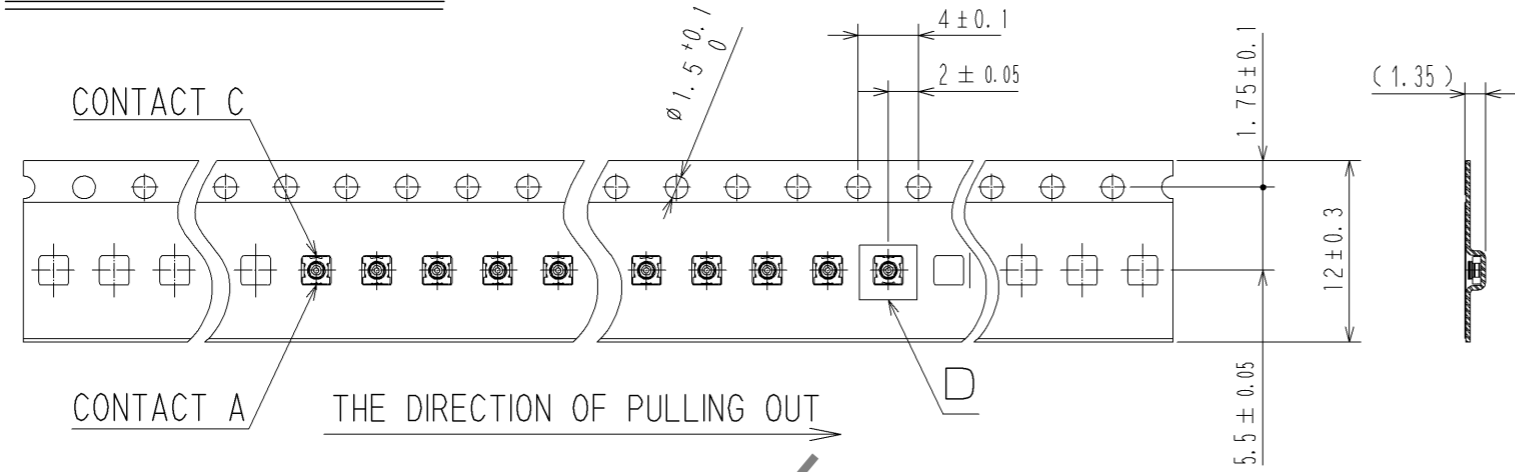


: This area must be free of conductive traces and resist field.

3	CU-NI-SI-ALLOY	SELECTIVE GOLD PLATING	7	PS			
2	LCP-M		6	PS			
1	BRASS	SELECTIVE GOLD PLATING	5	PS			
NO.	MATERIAL	FINISH . REMARKS	NO.	MATERIAL	FINISH . REMARKS		
UNITS		SCALE	COUNT	DESCRIPTION OF REVISIONS	DESIGNED	CHECKED	DATE
mm		15 : 1	2	DIS-J-001356	TS. NAKAGAWA	NK. NINOMIYA	11. 09. 13
HRS HIROSE ELECTRIC CO., LTD.		APPROVED : KJ. KAWAMURA	08. 11. 08	DRAWING NO. EDC3-180771-00			
		CHECED : TY. OZAKI	08. 11. 07	PART NO. MS-180			
		DESIGNED : TS. NAKAGAWA	08. 11. 07	CODE NO. CL358-0265-7-00			
		DRAWN : TS. NAKAGAWA	08. 11. 07			1/2	

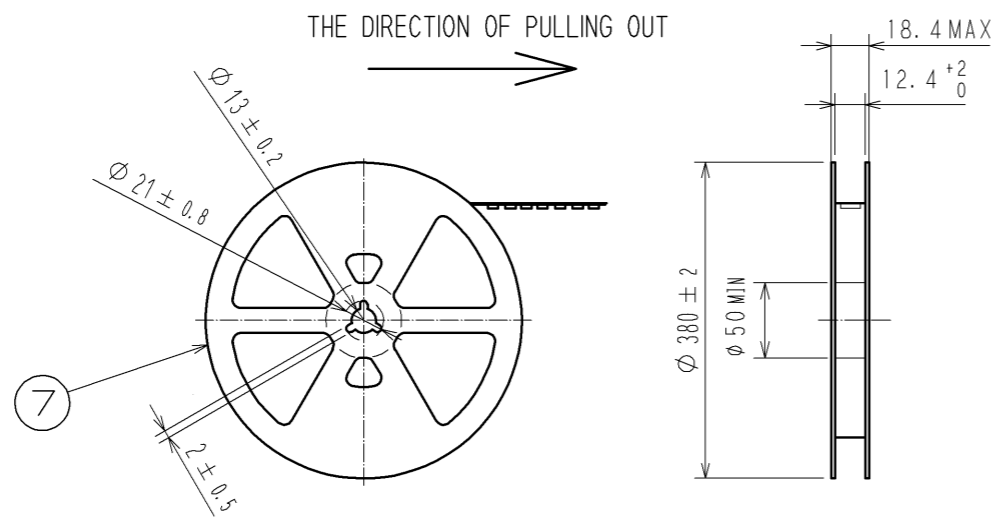
Dec.1.2021 Copyright 2021 HIROSE ELECTRIC CO., LTD. All Rights Reserved.
 In case of consideration for using Automotive equipment / device which demand high reliability, kindly contact our sales window correspondents.

PACKAGING SPECIFICATION (2:1)

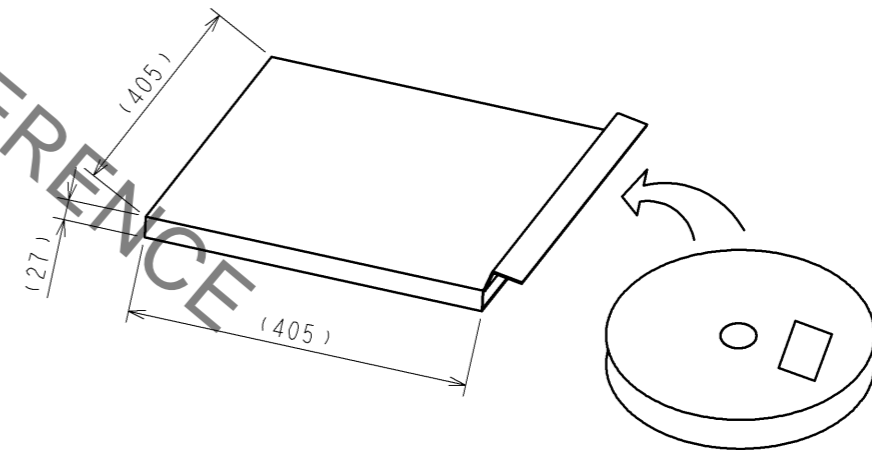


REEL DIMENSIONS(FREE)

15000 PIECES PER REEL



OUTER PACKAGING CASE(FREE)



HRS DRAWING FOR REFERENCE

HRS	DRAWING NO.	EDC3-180771-00	2/2
	PART NO.	MS-180	
	CODE NO.	CL358-0265-7-00	

Mouser Electronics

Authorized Distributor

Click to View Pricing, Inventory, Delivery & Lifecycle Information:

[Hirose Electric:](#)

[MS-180](#)